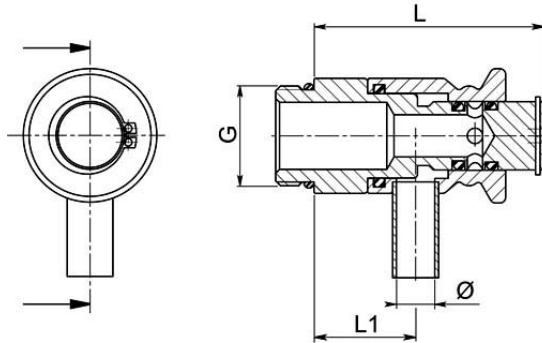


011109



DRAWING Cock with silicon seals
 Connection: ISO 228 male thread
 Material: Aisi 316L
 Measure: from 3/8" to 1"
 Operating temperature: -50°C +200°C
 Outer finish: Polished



G	L	L1	DIAM	Kg	CODE AISI 316L
3/8"	60	26,5	10	0,246	011109 608S0
1/2"	60	26,5	10	0,233	011109 614S0
3/4"	60	26,5	10	0,230	011109 620S0
1"	68	34,5	10	0,320	011109 626S0

