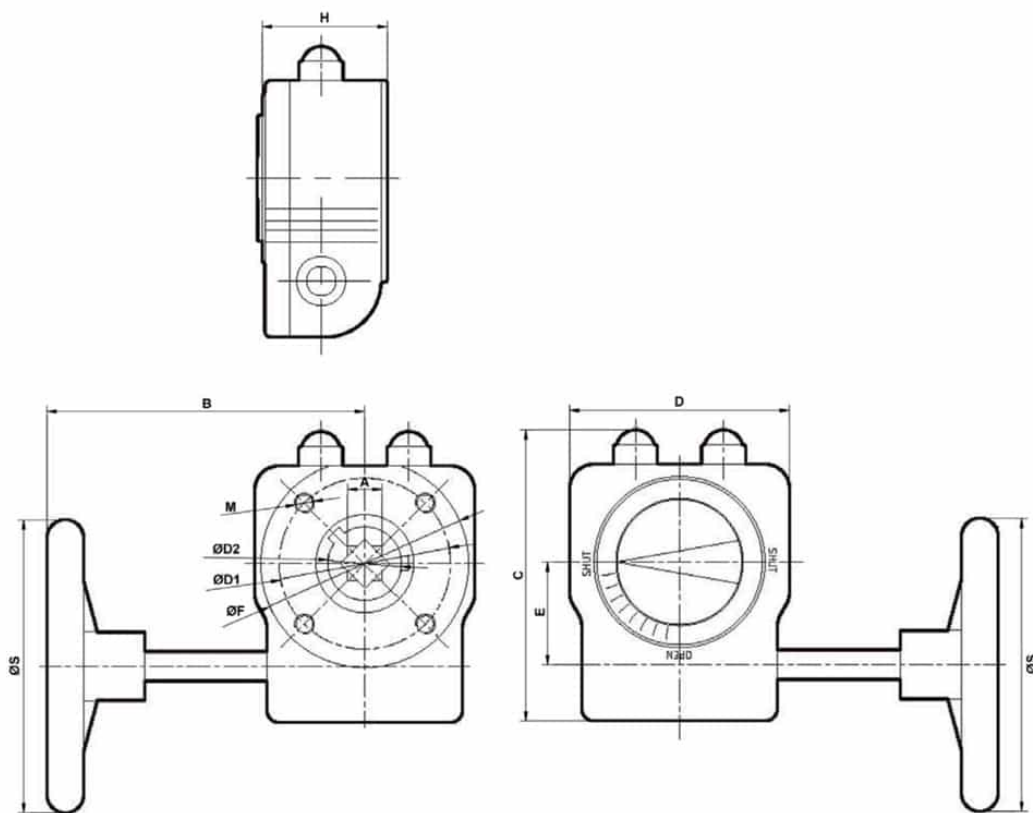


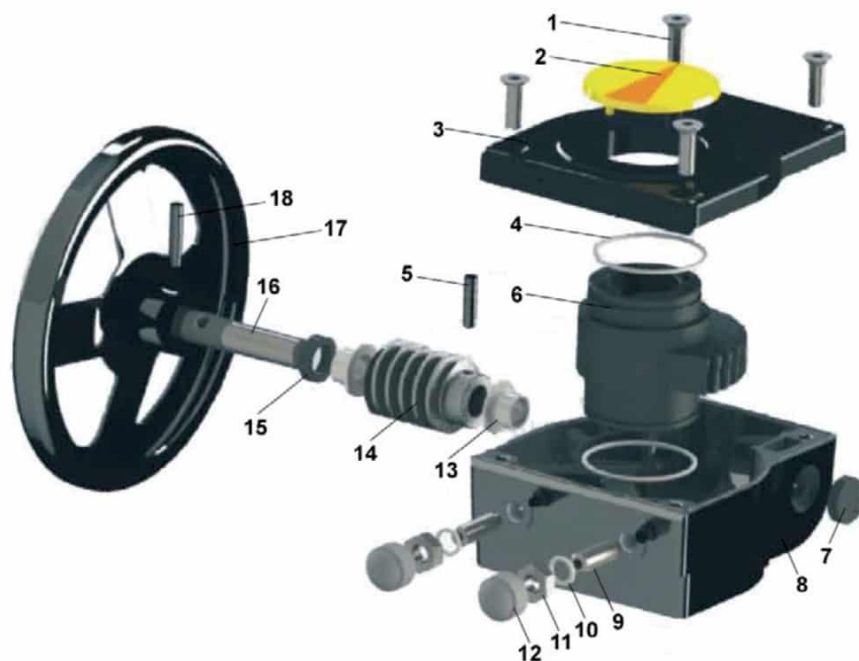
790650 HANDWHEEL MANIPULATORS WITHOUT DECLUTCH



The GBSS Series Handwheel Manipulator, one quarter turn drive device, is suitable for ball valves, butterfly valves and similar. The static electricity powder coating of the aluminium alloy body gives an excellent appearance, a strong mechanical adhesion property and corrosion & wear resistance.



Max momento torcente (Nm)	Gear Ratio	ISO flange	Ø S	A	B	C	D	Ø D1	Ø D2	E	Ø F	H	M	CODE
180	1:40	F05/F07	140	14	160	115	80	50/70	30	42	78	48	M6x10 M8x12	790650 80800
300	1:37	F07/F09	200	17	160	130	100	70/90	32	50	97	54	M8x12 M10x12	790650 81000
540	1:36	F07/F10	250	22	215	150	120	70/102	43	60	117	56	M8x12 M10x15	790650 81400
675	1:36	F10/F12	300	22	225	180	142	102/125	43	60	138	69	M10x15 M12x18	790650 81800
1.310	1:50	F10/F14	400	27	325	215	178	102/140	54	77,5	174	83	M10x15 M16x24	790650 82200
1.790	1:39	F10/F14	600	27	375	225	185	102/140	50	81	175	95	M10x15 M16x24	790650 82600
3.250	1:55	F16	600	36	385	268	230	165	65	104,5	220	105	M20x30	790650 83000
6.500	1:52	F16/F25	700	Ø 60x18	416	332	265	165/254	80	130	286	125	M20x30 M16x24	790650 83400



N°	Descrizione	Quantità	MATERIAL
1	SCREW	4	Stainless Steel AISI 304
2	Pointer	1	ABS
3	Cover	1	Alluminio rivestito in poliestere
4	O-ring	2	NBR70
5	Pin	1	Spring Steel
6	Special Gear	1	Steel
7	Protection plug	1	NBR70
8	Body	1	Alluminio rivestito in poliestere
9	Adjusting Screw	2	Steel
10	Sealing Washer	2	galvanized Steel
11	Adjusting Screw	2	galvanized Steel
12	Protezione dado di regolazione	2	NBR70
13	Bearing	2	sintered bronze
14	Worm Gear	1	Carbon Steel 45#
15	Front Seal	1	NBR70
16	shaft	1	Carbon Steel 45#
17	Handwheel	1	carbon Steel polyester coated
18	Pin	1	Spring Steel

