

373046_L_3 SEALS STANDARD SEALS - M SMS



THREE-way ball valve THREE seals with "L" port
Drive: ISO 5211 - DIN 3337 flange for actuator
Connection: SMS male/male/male
Flow: Full
Material: Aisi 316L (1.4404)
Measure: from DN65 to DN100
Seals: Modified Virgin P.T.F.E.
Operating temperature: -20°C+170°C
Outer finish: Polished

On request:

Antistatic device ATEX:

II 2G Ex h IIC T4 Gb

II 2D Ex h IIIC T135°C Db

M.O.C.A. CE 1935/2004

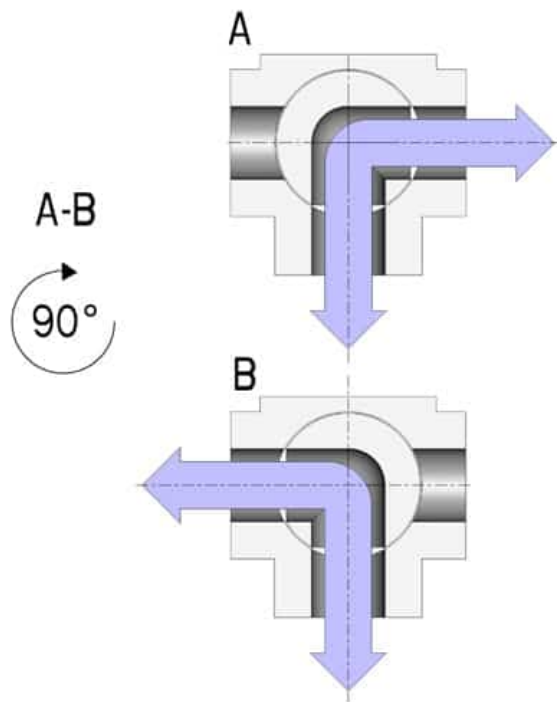
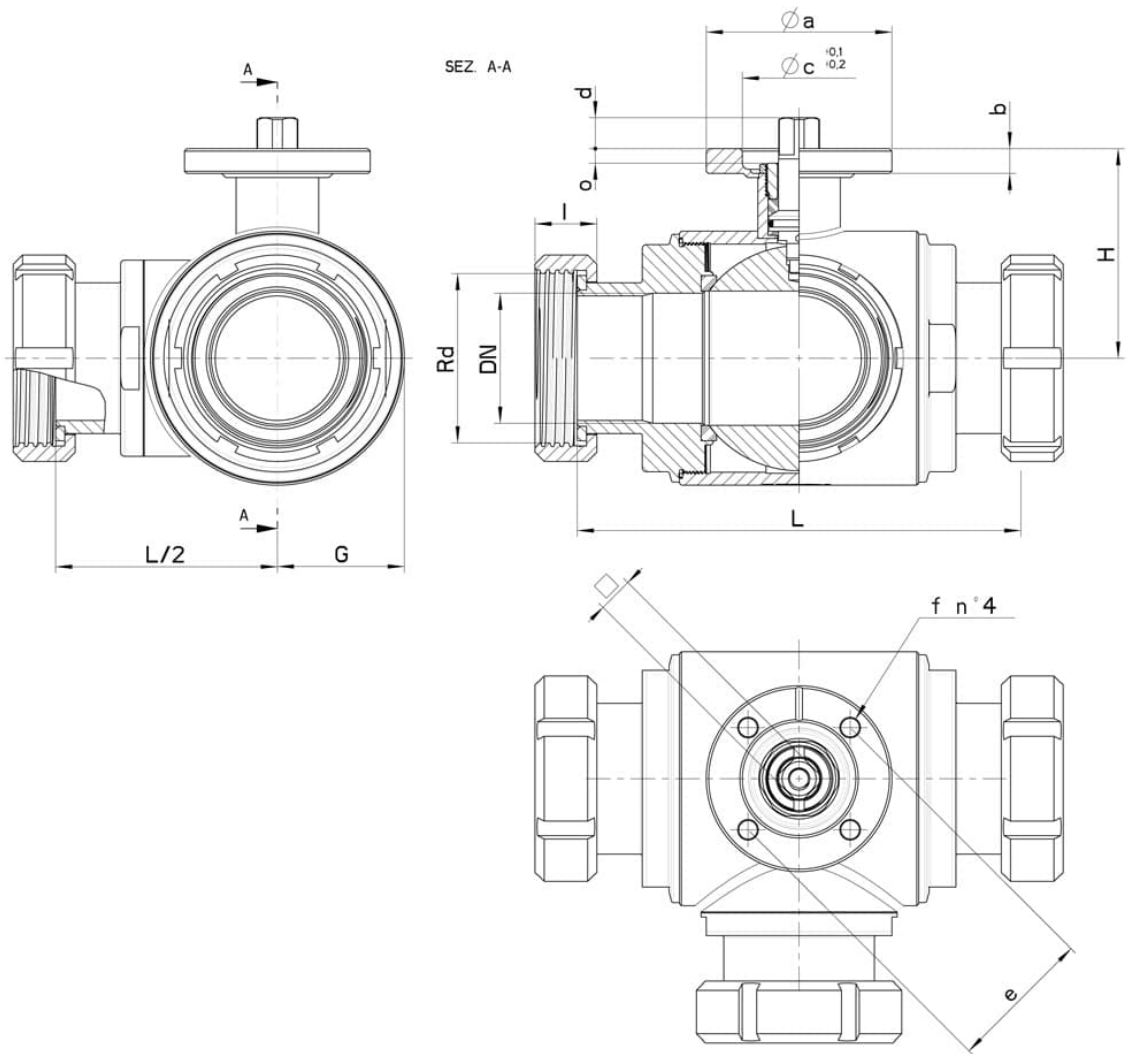
• Seals made of:

PTFE with glass -20°C+170°C

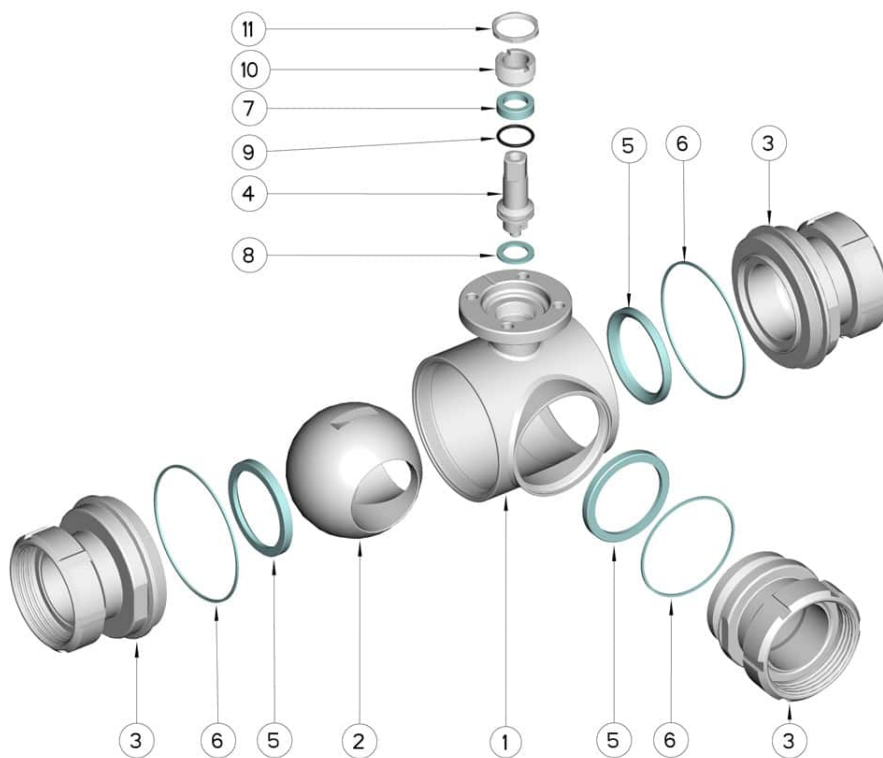
PTFE with carbographite -20°C+180°C

PTFE with inox -20°C+200°C

UHMW High-molecular weight polyethylene -20°C+80°C



SMS	DN	Rd x 1/6"	L	I	H	PN	Kg	ISO-DIN	Ø a	b	Ø c x o	□	d	e	f	n° 4 BOLTS	Nm	CODE AISI 316L
63	65	85 x 1/6"	214	25	101,5	16	11,00	F.07	90	12	55x4	17	15	70	9	M8x20	60	373046 64410
63	65	85 x 1/6"	214	25	101,5	16	11,50	F.10	120	12	70x4	22	18	102	11	M10x25	60	373046 6441F
76	(Reduced) 65	98 x 1/6"	214	25	101,5	16	-	F.07	90	12	55x4	17	15	70	9	M8x20	60	373046 64510
76	(Reduced) 65	98 x 1/6"	214	25	101,5	16	-	F.10	120	12	70x4	22	18	102	11	M10x25	60	373046 6451F
76	80	98 x 1/6"	266	30	116	16	22,63	F.07	90	12	55x4	17	15	70	9	M8x20	75	373046 64810
76	80	98 x 1/6"	266	30	116	16	22,13	F.10	120	12	70x4	22	18	102	11	M10x25	75	373046 6481F
104	100	125 x 1/4"	302	31	131	10	34,83	F.07	90	12	55x4	17	15	70	9	M8x20	110	373046 65410
104	100	125 x 1/4"	302	31	131	10	35,36	F.10	120	12	70x4	22	18	102	11	M10x25	110	373046 6541F
101	100	132 x 1/6"	302	31	131	10	-	F.07	90	12	55x4	17	15	70	9	M8x20	110	373046 65510
101	100	132 x 1/6"	302	31	131	10	-	F.10	120	12	70x4	22	18	102	11	M10x25	110	373046 6551F



POS.	DENOMINATION	PCS	MAT.
1	Body	1	AISI 316L
2	Ball	1	AISI 316L
3	Sleeves	3	AISI 316L
4	Stem	1	AISI 316L
5	Ball Seals	3	PTFE Vergine Modificato
6	Sleeve Seals	3	NBR
7	Stem Seal	1	PTFE
8	Stem Seal	1	PTFE
9	Stem or-Seal	1	FKM
10	Register ring	1	AISI 304L (303)
11	Locknut	1	AISI 303

