

373030 L_3 SEALS_FOR BS PIPE



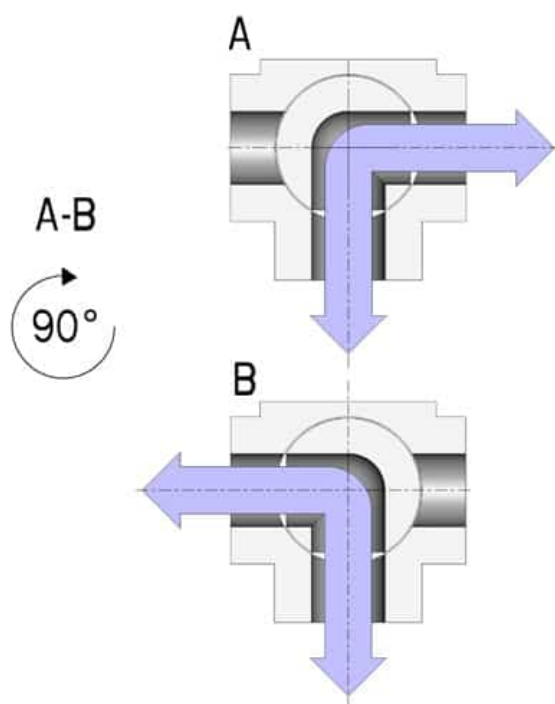
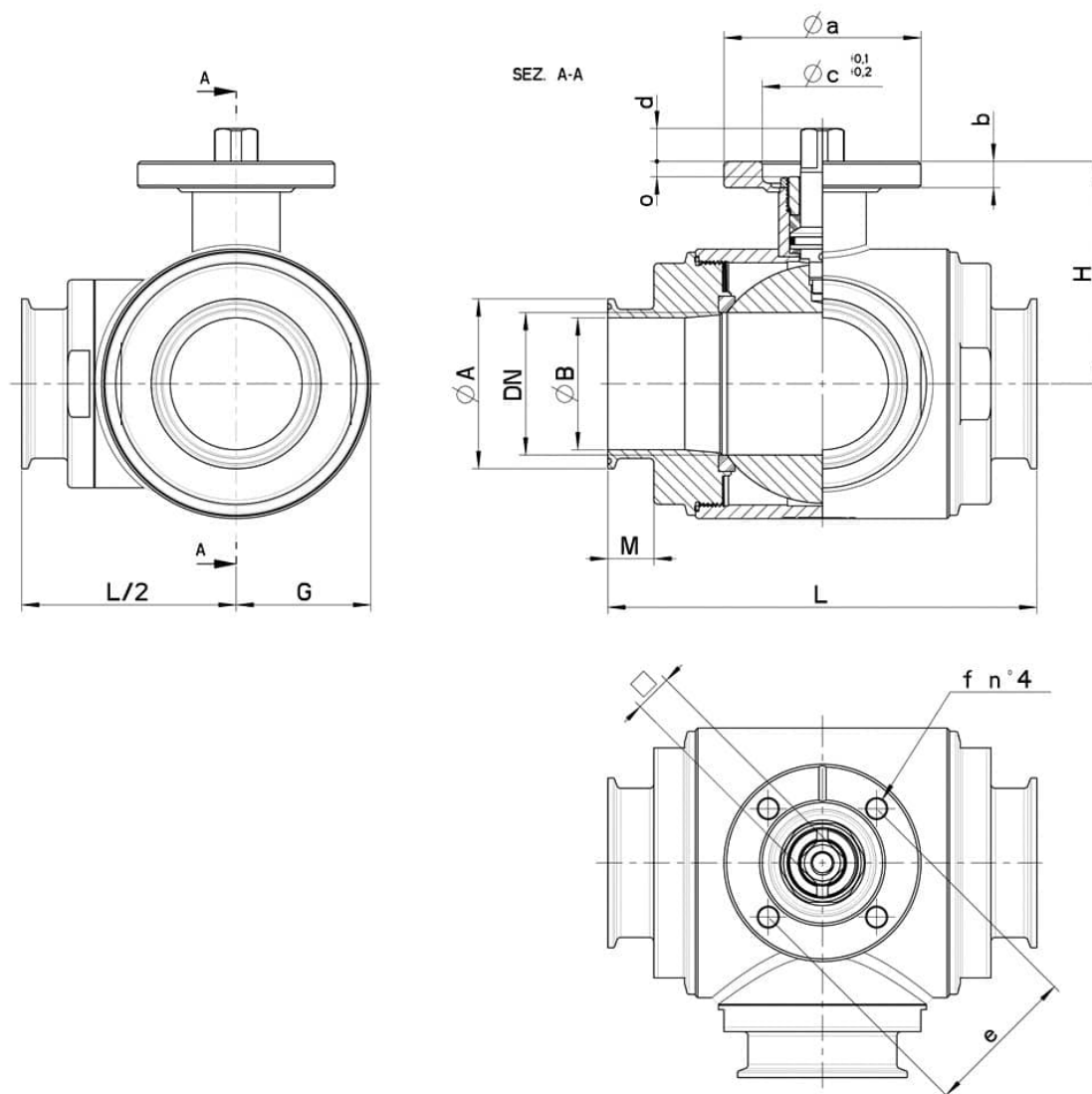
THREE-way ball valve three seals with "L" port
Drive: ISO 5211 - DIN 3337 flange for actuator
Connection: **CLAMP normative DIN 32676 TAB.4 REIHE C**
For TUBE according to normative BS/OD (ASTM A270)
Flow: Full and reduced
Material: Aisi 304L (1.4307) - Aisi 316L (1.4404)
Measure: from 2"1/2 to 4"
Seals: Modified Virgin P.T.F.E.
Operating temperature: -20°C+170°C
Outer finish: Polished

On request:

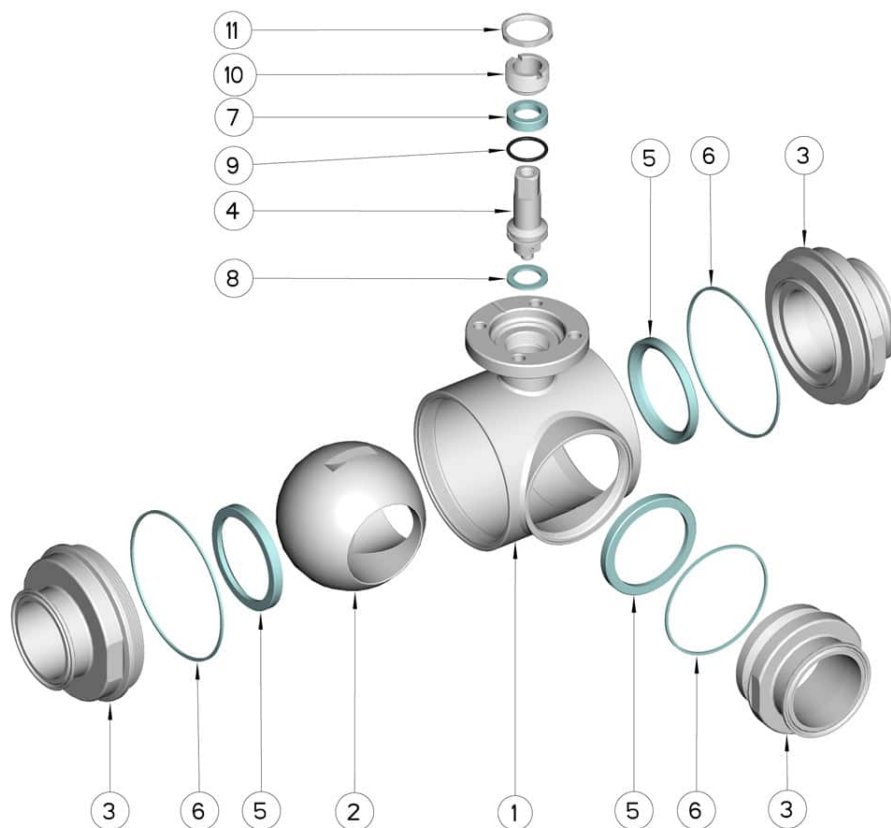
Antistatic device ATEX:
II 2G Ex h IIC T4 Gb
II 2D Ex h IIIC T135°C Db
M.O.C.A. CE 1935/2004

• Seals made of:

PTFE with glass -20°C+170°C
PTFE with carbographite -20°C+180°C
PTFE with inox -20°C+200°C
UHMW High-molecular weight polyethylene -20°C+80°C



CLAMP REIHE C INCH	DN	L	Ø A	Ø B	H	PN	Kg	ISO-DIN	Ø a	b	Ø c x o	□	d	e	f	n° 4 BOLTS	Nm	CODE AISI 316L
2"1/2	65	196	77,5	60,2	101,5	16	-	F.07	90	12	55x4	17	15	70	9	M8x20	60	373030 64410
3"	80	256	91	72,9	116	16	-	F.10	120	12	70x4	22	18	102	11	M10x25	110	373030 6481F
4"	100	286	119	97,38	131	10	-	F.10	125	12	70x4	22	18	102	11	M10x25	130	373030 6541F



POS.	DENOMINATION	PCS	MAT.
1	Body	1	AISI 304L - 316L
2	Ball	1	AISI 304L - 316L
3	Sleeves	3	AISI 304L - 316L
4	Stem	1	AISI 304L - 316L
5	Ball Seals	3	PTFE Vergine Modificato
6	Sleeve Seals	3	PTFE
7	Stem Seal	1	PTFE
8	Stem Seal	1	PTFE
9	Stem or-Seal	1	FKM
10	Register ring	1	AISI 304L (303)
11	Locknut	1	AISI 303

