

370142_L_3 SEALS STANDARD SEALS_BUTT-WELDING IN ACCORDING TO BS-OD (ASTM A-270)



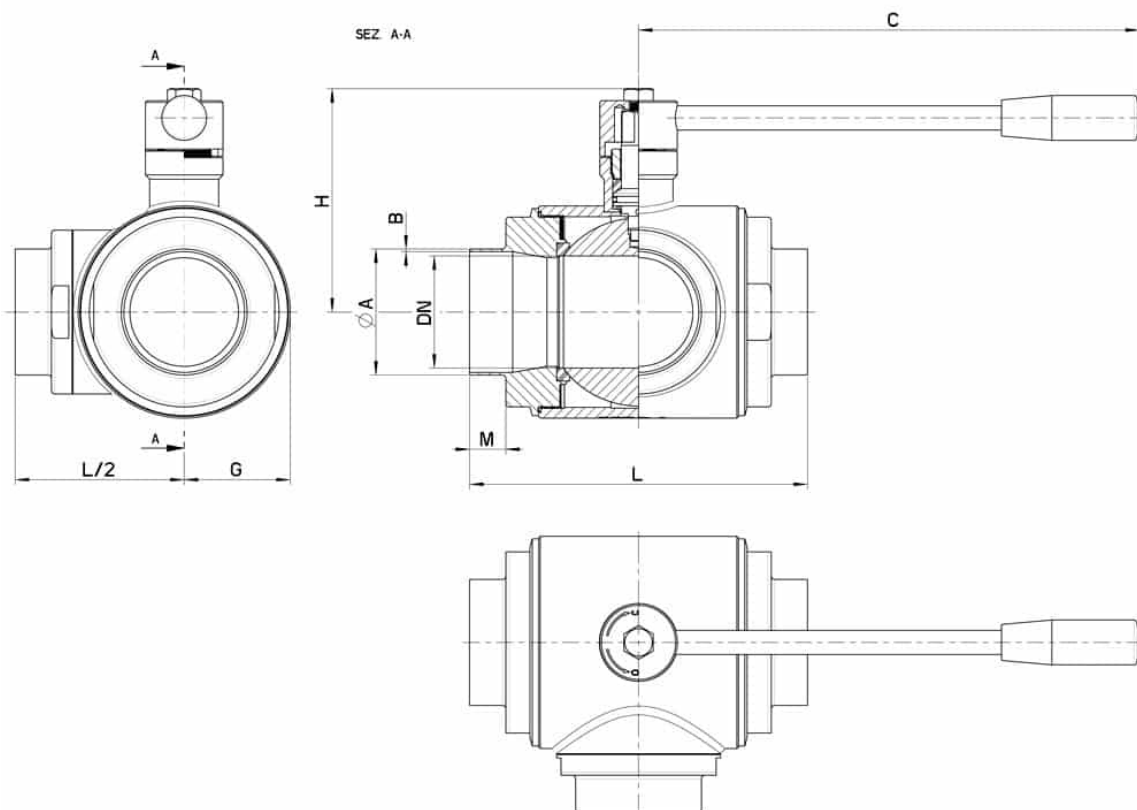
THREE-way ball valve three seals with "L" port
Drive: Inox lever
Connection: Butt-welding in according to BS-OD (ASTM A-270)
Flow: Full
Material: Aisi 316L (1.4404)
Measure: DN65 to DN100
Seals: Modified Virgin P.T.F.E.
Operating temperature: -20°C+170°C
Outer finish: Polished

On request:

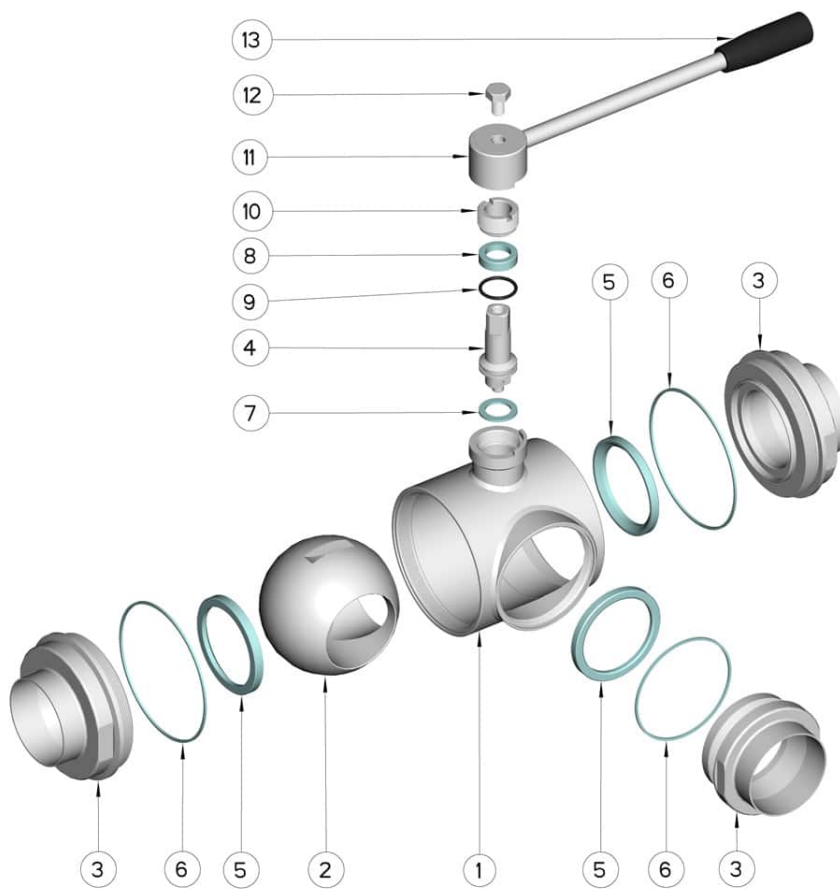
Antistatic device ATEX:
II 2G Ex h IIC T4 Gb
II 2D Ex h IIIC T135°C Db
M.O.C.A. CE 1935/2004

• Seals made of:

PTFE with glass -20°C+170°C
PTFE with carbographite -20°C+180°C
PTFE with inox -20°C+200°C
UHMW High-molecular weight polyethylene -20°C+80°C



DN	Ø A	B	L	G	C	H	PN	Kg	CODE AISI 316L
65	63,5 X 1,65	21	196	80	285	130	16	-	370142 6R710
80	76,2 X 1,65	27	256	100	310	145	16	-	370142 6U510
100	101,6 X 2,11	27	286	120	310	160	10	-	370142 6X410



POS.	DENOMINATION	PCS	MAT.
1	Body	1	AISI 316L
2	Ball	1	AISI 316L
3	Sleeves	3	AISI 316L
4	Stem	1	AISI 316L
5	Ball Seals	3	PTFE Vergine Modificato
6	Sleeve Seals	3	NBR
7	Stem Seal	1	PTFE
8	Stem Seal	1	PTFE
9	Stem or-Seal	1	FKM
10	Register ring	1	AISI 304L (303)
11	Lever	1	AISI 304L
12	SCREW	1	AISI 304L
13	Handle	1	Resin

