

363030 T_3 SEALS_FOR ISO PIPE



THREE-way ball valve three seals with "T" port
Drive: ISO 5211 - DIN 3337 flange for actuator
Connection: **CLAMP normative DIN 32676 TAB.3 REIHE B**
For TUBE according to normative ISO 1127
Flow: Full and reduced
Material: Aisi 316L (1.4404)
Measure: from DN65 to DN100
Seals: Modified Virgin P.T.F.E.
Operating temperature: -20°C +170°C
Outer finish: Polished

On request:

Antistatic device ATEX:

II 2G Ex h IIC T4 Gb

II 2D Ex h IIIC T135°C Db

M.O.C.A. CE 1935/2004

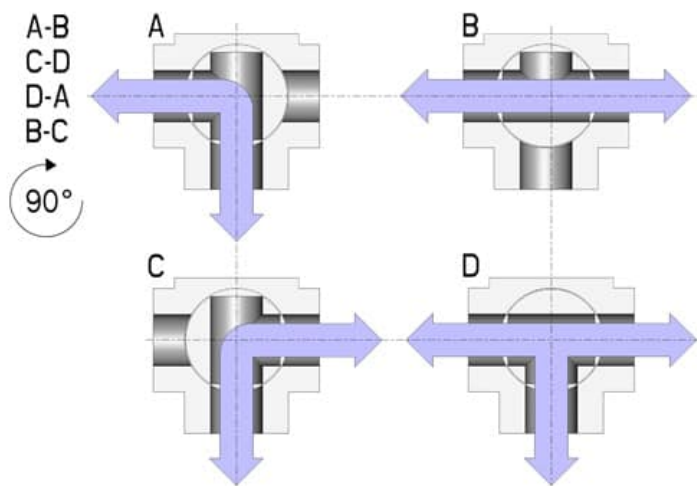
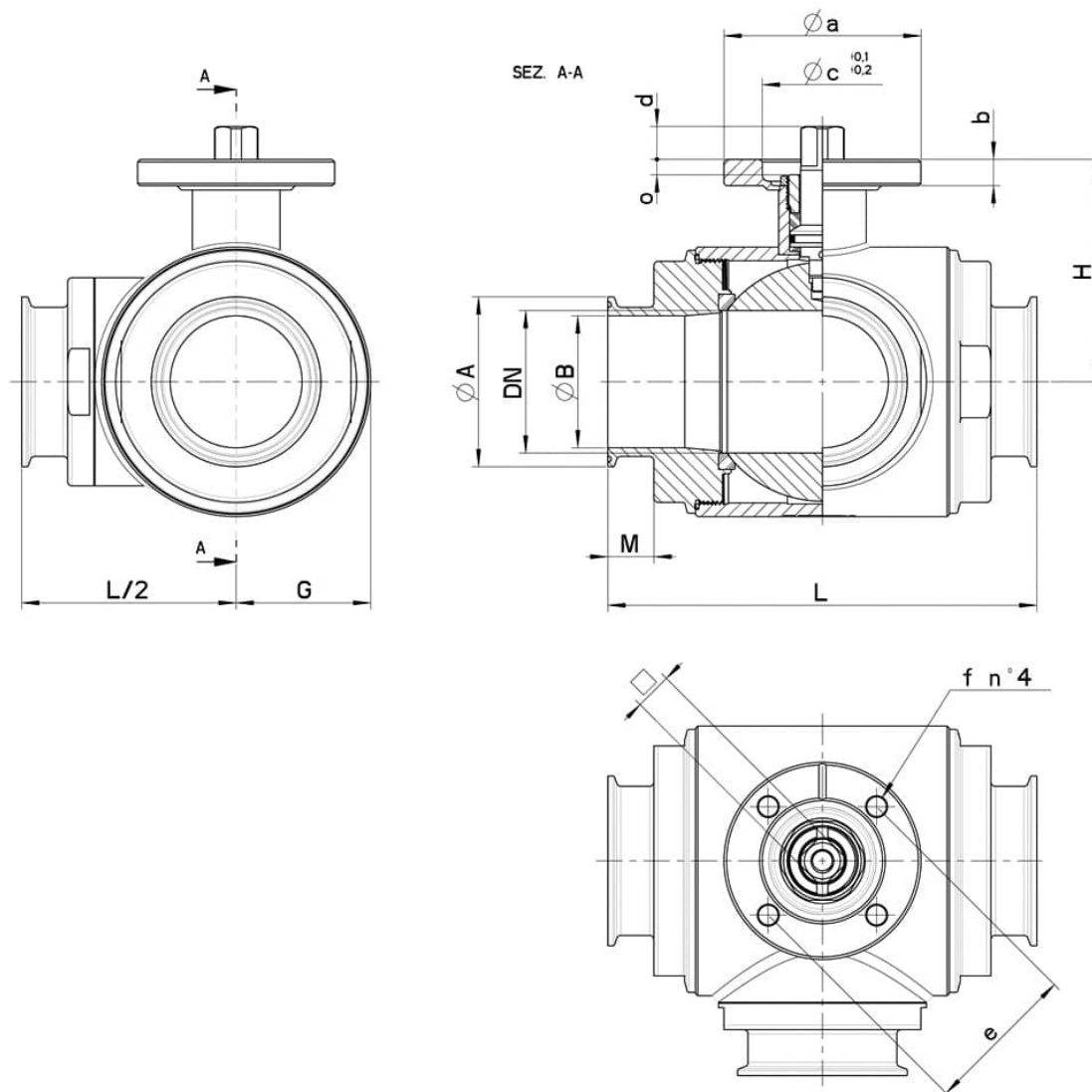
• Seals made of:

PTFE with glass -20°C+170°C

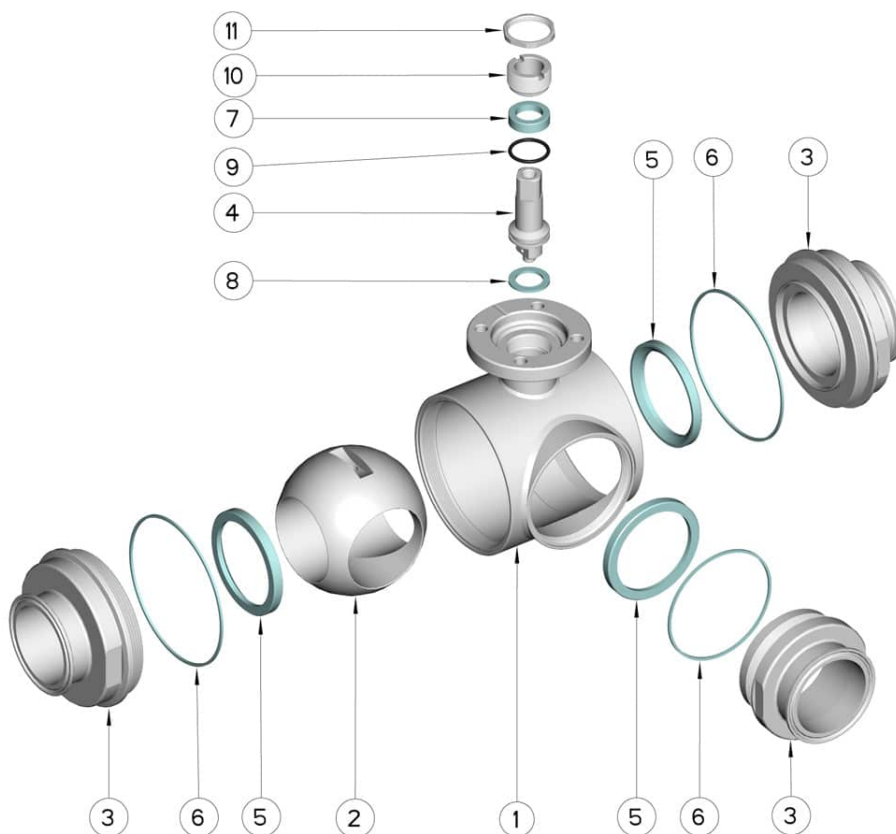
PTFE with carbographite -20°C+180°C

PTFE with inox -20°C+200°C

UHMW High-molecular weight polyethylene -20°C+80°C



CLAMP REIHE B OD	DN	L	G	Ø A	Ø B	H	PN	Kg	ISO-DIN	Ø a	b	Ø c x o	□	d	e	f	n° 4 BOLTS	Nm	CODE AISI 316L
76,1	65	196	80	91	72,1	101,5	16	-	F.07	90	12	55x4	17	15	70	9	M8x20	60	363030 64710
88,9	80	256	100	106	84,3	116	16	-	F.10	120	12	70x4	22	18	102	11	M10x25	75	363030 6511F
114,3	100	286	120	130	109,7	131	10	-	F.10	120	12	70x4	22	18	102	11	M10x25	110	363030 6531F



POS.	Denom.	PCS	MAT.
1	Body	1	AISI 316L
2	Ball	1	AISI 316L
3	Sleeves	3	AISI 316L
4	Stem	1	AISI 316L
5	Ball Seals	3	PTFE Vergine Modificato
6	Sleeve Seals	3	PTFE
7	Stem Seal	1	PTFE
8	Stem Seal	1	PTFE
9	Stem or-Seal	1	FKM
10	Register ring	1	AISI 304L (303)
11	Locknut	1	AISI 303

