

313030 L FOR BS PIPE



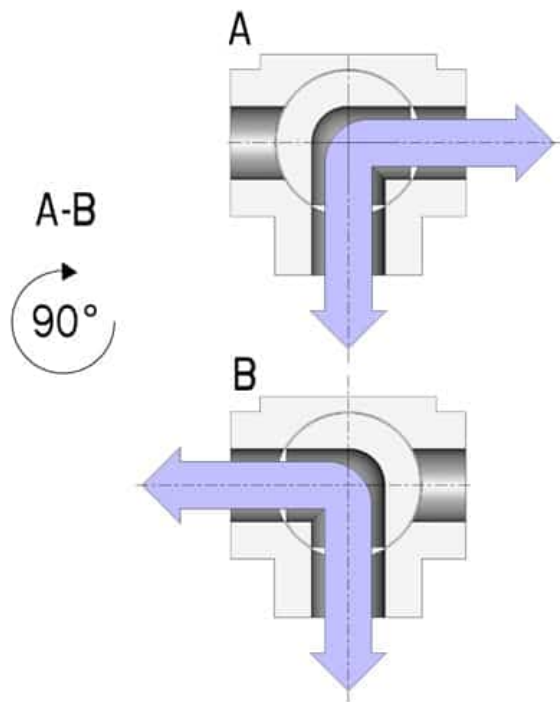
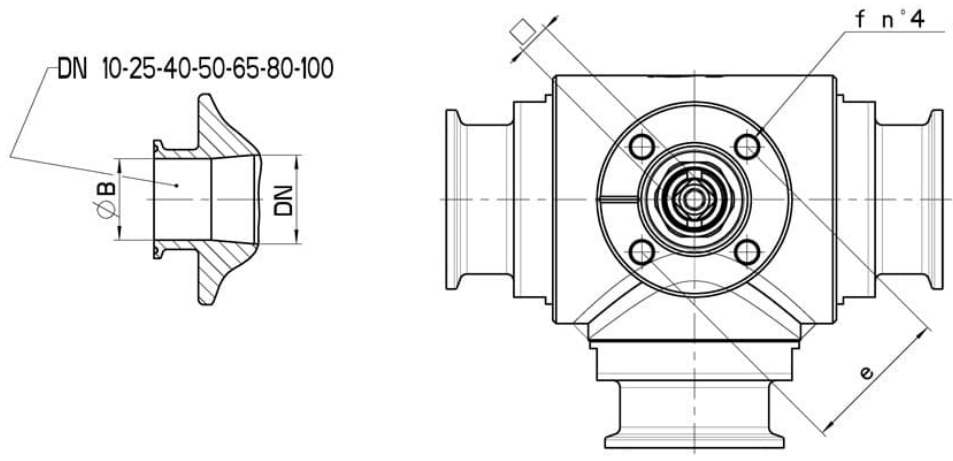
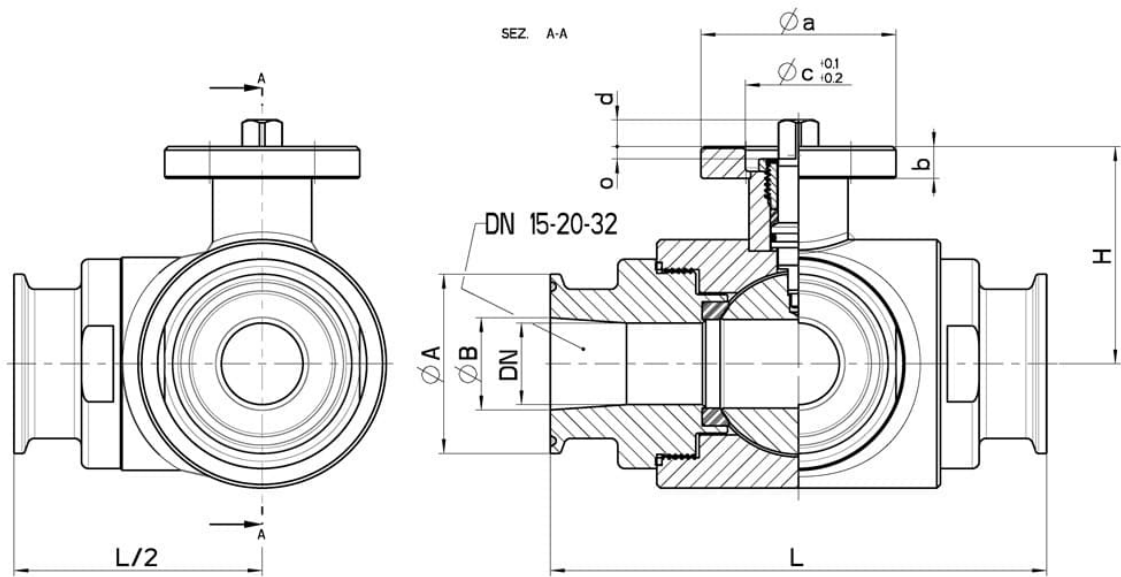
THREE-way ball valve 4 seals with "L" port
Drive: ISO 5211 - DIN 3337 flange for actuator
Connection: **CLAMP normative DIN 32676 TAB.4 REIHE C**
For TUBE according to normative BS/OD (ASTM A270)
Flow: Full and reduced
Material: Aisi 304L e 316L
Measure: from 1/2" to 4"
Seals: Modified Virgin P.T.F.E.
Operating temperature: -20°C+170°C
Outer finish: Polished

On request:

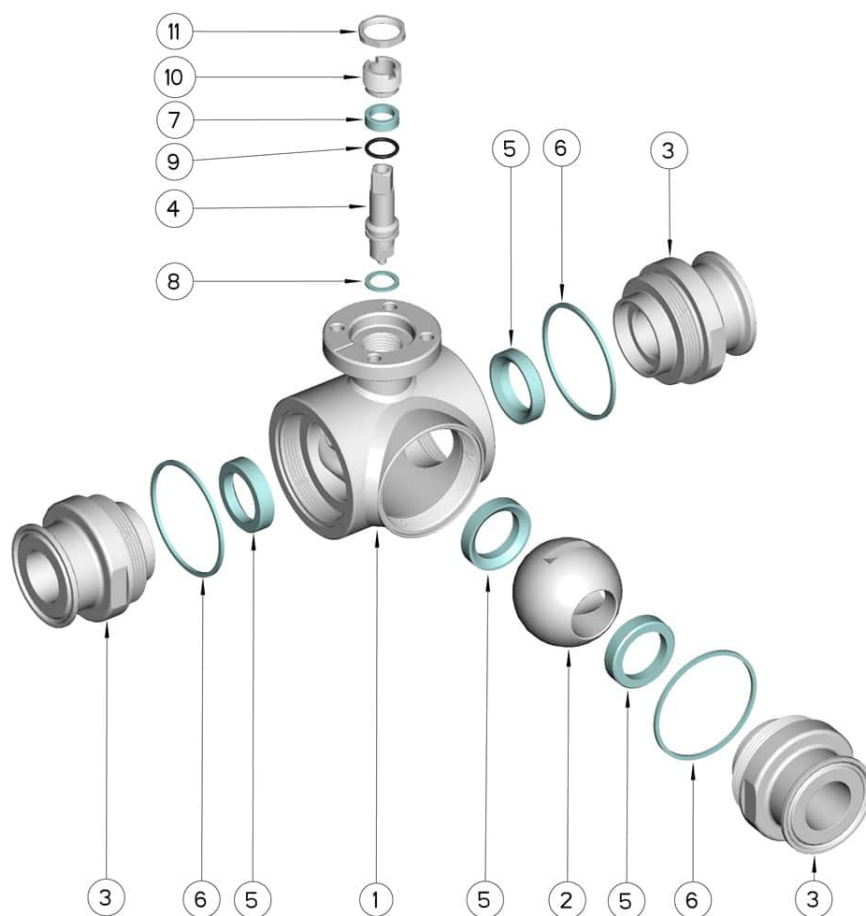
Antistatic device ATEX:
II 2G Ex h IIC T4 Gb
II 2D Ex h IIIC T135°C Db
M.O.C.A. CE 1935/2004

• Seals made of:

PTFE with glass -20°C+170°C
PTFE with carbographite -20°C+180°C
PTFE with inox -20°C+200°C
UHMW High-molecular weight polyethylene -20°C+80°C



CLAMP REIHE C INCH	DN	L	Ø A	Ø B	H	PN	Kg	ISO-DIN	Ø a	b	Ø c x o	□	d	e	f	n° 4 BOLTS	Nm	CODE AISI 304L	CODE AISI 316L
1/2"	10	108	25	9,4	46,5	100	1,07	F.03	46	9	25x3	9	8	36	6	M5x16	10	-	313030 61210
1/2"	10	108	25	9,4	46,5	100	1,11	F.04	54	9	30x3	11	10	42	6	M5x16	10	-	313030 6121F
3/4"	15	118	25	15,75	49	100	1,32	F.03	46	9	25x3	9	8	36	6	M5x16	12	-	313030 61810
3/4"	15	118	25	15,75	49	100	1,36	F.04	54	9	30x3	11	10	42	6	M5x16	12	-	313030 6181F
1"	20	130	50,5	22,1	56,5	100	2,45	F.04	54	9	30x3	11	10	42	6	M5x16	23	-	313030 62410
1"	20	130	50,5	22,1	56,5	100	2,60	F.05	65	9	35x3	14	13	50	7	M6x16	23	-	313030 6241F
1"	25	140	50,5	22,1	61	64	3,16	F.04	54	9	30x3	11	10	42	6	M5x16	25	-	313030 62610
1"	25	140	50,5	22,1	61	64	3,26	F.05	65	9	35x3	14	13	50	7	M6x16	25	-	313030 6261F
1*1/2	32	156	50,5	34,8	81,5	64	4,95	F.05	65	12	35x4	14	13	50	7	M6x20	33	-	313030 63210
1*1/2	32	156	50,5	34,8	81,5	64	5,12	F.07	90	12	55x4	17	15	70	9	M8x20	33	-	313030 6321F
1*1/2	40	172	50,5	34,8	89	64	7,40	F.05	65	12	35x4	14	13	50	7	M6x20	40	-	313030 63410
1*1/2	40	172	50,5	34,8	89	64	7,57	F.07	90	12	55x4	17	15	70	9	M8x20	40	-	313030 6341F
2"	50	182	64	47,5	91,5	40	8,83	F.07	90	12	55x4	17	15	70	9	M8x20	50	-	313030 63810
2"	50	182	64	47,5	91,5	40	9,00	F.10	120	12	70x4	22	18	102	11	M10x25	50	-	313030 6381F
2*1/2	65	196	77,5	60,2	101,5	40	10,97	F.07	90	12	55x4	17	15	70	9	M8x20	60	-	313030 64410
2*1/2	65	196	77,5	60,2	101,5	40	11,47	F.10	120	12	70x4	22	18	102	11	M10x25	60	-	313030 6441F
3"	80	256	91	72,9	116	40	22,50	F.07	90	12	55x4	17	15	70	9	M8x20	110	313030 44810	313030 64810
3"	80	256	91	72,9	116	40	23,00	F.10	120	12	70x4	22	18	102	11	M10x25	110	313030 4481F	313030 6481F
4"	100	286	119	97,38	131	16	34,87	F.07	90	12	55x4	17	15	70	9	M8x20	130	313030 45410	313030 65410
4"	100	286	119	97,38	131	16	35,35	F.10	120	12	70x4	22	18	102	11	M10x25	130	313030 4541F	313030 6541F



POS.	DENOMINATION	PCS	MAT.
1	Body	1	AISI 304L - 316L
2	Ball	1	AISI 304L - 316L
3	Sleeves	3	AISI 304L - 316L
4	Stem	1	AISI 304L - 316L
5	Ball Seals	4	PTFE Vergine Modificato
6	Sleeve Seals	3	PTFE
7	Stem Seal	1	PTFE
8	Stem Seal	1	PTFE
9	Stem or-Seal	1	FKM
10	Register ring	1	AISI 304L (303)
11	Locknut	1	AISI 303

