

310160_L_4 SEALS STANDARD SEALS - VICTAULIC



THREE-way ball valve 4 seals with "L"
Drive: Inox lever
Connection: VICTAULIC
Flow: Full
Material: Aisi 304L (1.4307) - Aisi 316L (1.4404)
Measure: from DN20 to DN100
Seals: Modified Virgin P.T.F.E.
Operating temperature: -20°C+170°C
Outer finish: Sandblasted

On request:

Antistatic device ATEX:

II 2G Ex h IIC T4 Gb

II 2D Ex h IIIC T135°C Db

M.O.C.A. CE 1935/2004

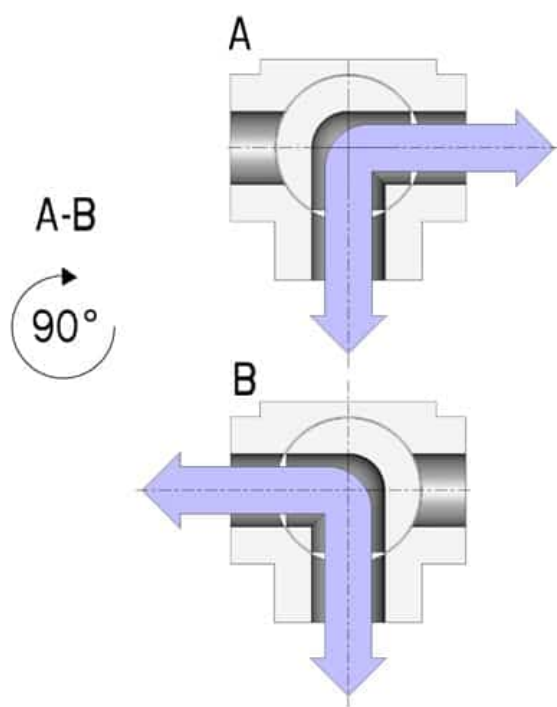
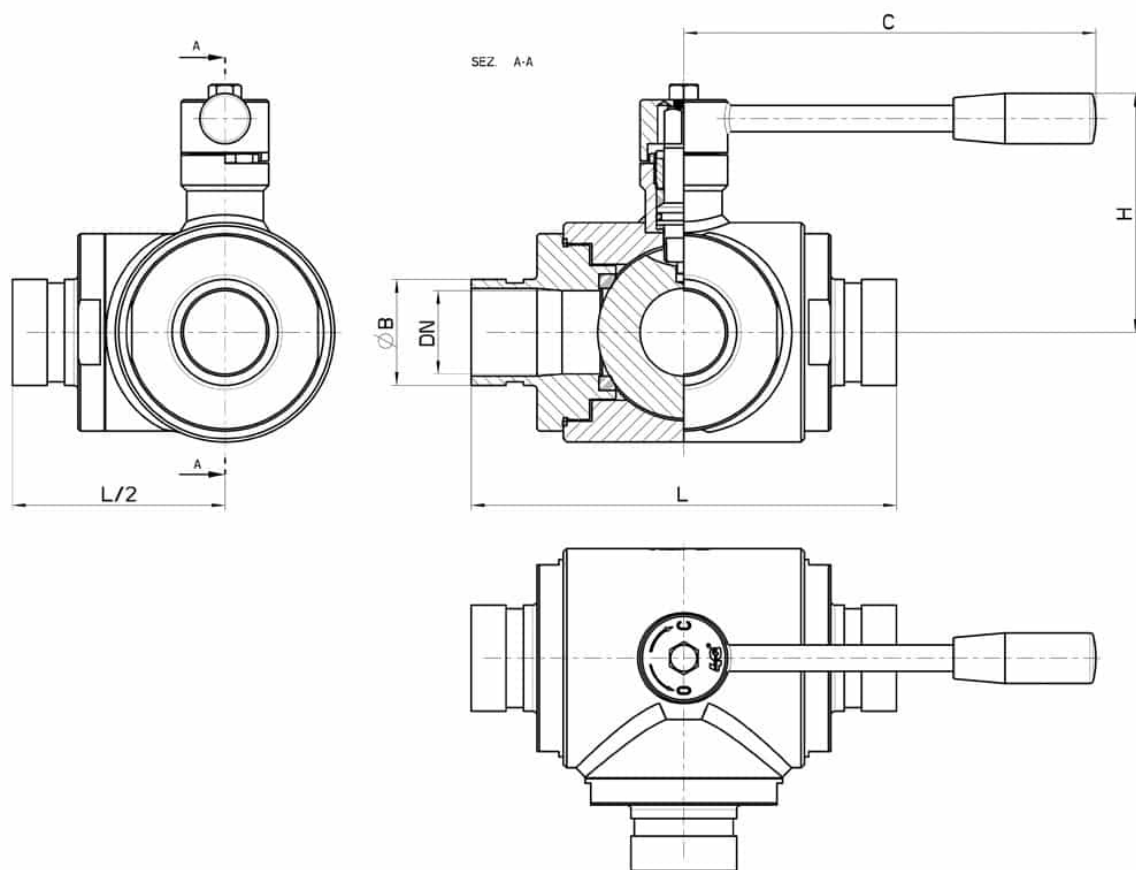
• Seals made of:

PTFE with glass -20°C+170°C

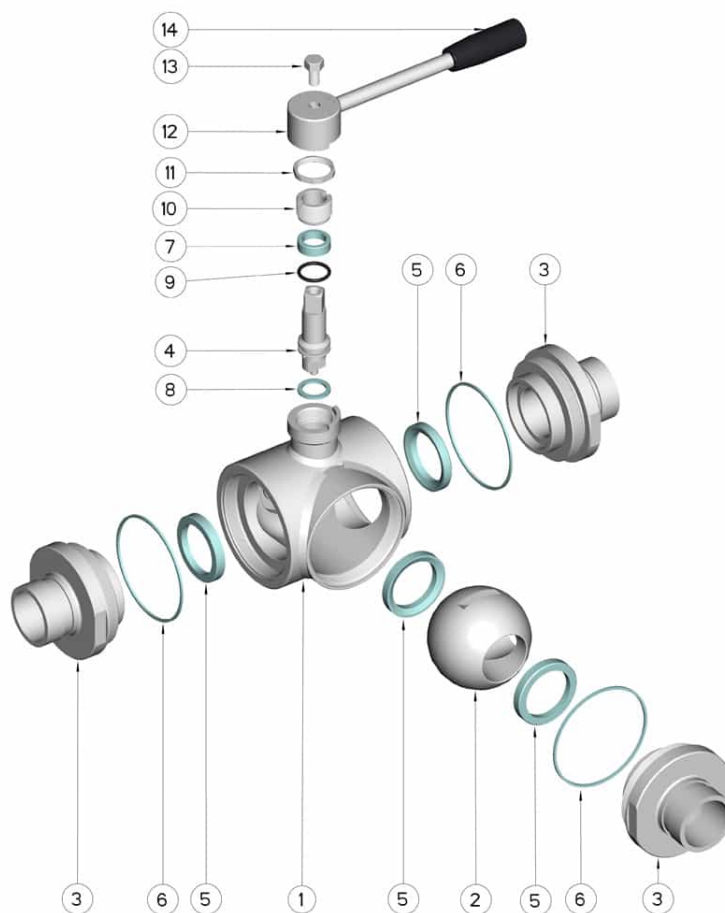
PTFE with carbographite -20°C+180°C

PTFE with inox -20°C+200°C

UHMW High-molecular weight polyethylene -20°C+80°C



VICTAULIC	DN	L	Ø B	C	H	PN	Kg	CODE AISI 304L	CODE AISI 316L
3/4" x 26,9	20	92	26,9	160	70	100	-	-	310160 62010
1" x 33,7	25	102	33,7	160	80	64	-	-	310160 62610
1"1/4 x 42,4	32	118	42,4	190	95	64	-	-	310160 63010
1"1/2 x 48,3	40	134	48,3	190	110	64	-	-	310160 63410
2" x 60,3	50	144	60,3	220	120	40	-	-	310160 63810
2"1/2 x 73	65	160	73	285	130	40	-	-	310160 64410
2"1/2 x 76.1	65	160	76.1	285	130	40	-	-	310160 64510
3" x 88,9	80	200	88,9	310	145	40	-	310160 44810	310160 64810
4" x 114,3	100	240	114,3	310	160	16	-	310160 45410	310160 65410



POS.	DENOMINATION	PCS	MAT.
1	Body	1	AISI 304L - 316L
2	Ball	1	AISI 304L - 316L
3	Sleeves	3	AISI 304L - 316L
4	Stem	1	AISI 304L - 316L
5	Ball Seals	4	PTFE
6	Sleeve Seals	3	PTFE
7	Stem Seal	1	PTFE
8	Stem Seal	1	PTFE
9	Stem or-Seal	1	FKM
10	Register ring	1	AISI 304L (303)
11	Nut	1	AISI 303
12	Lever	1	AISI 304L
13	SCREW	1	AISI 303
14	Handle	1	DUROPLAST (PF)

