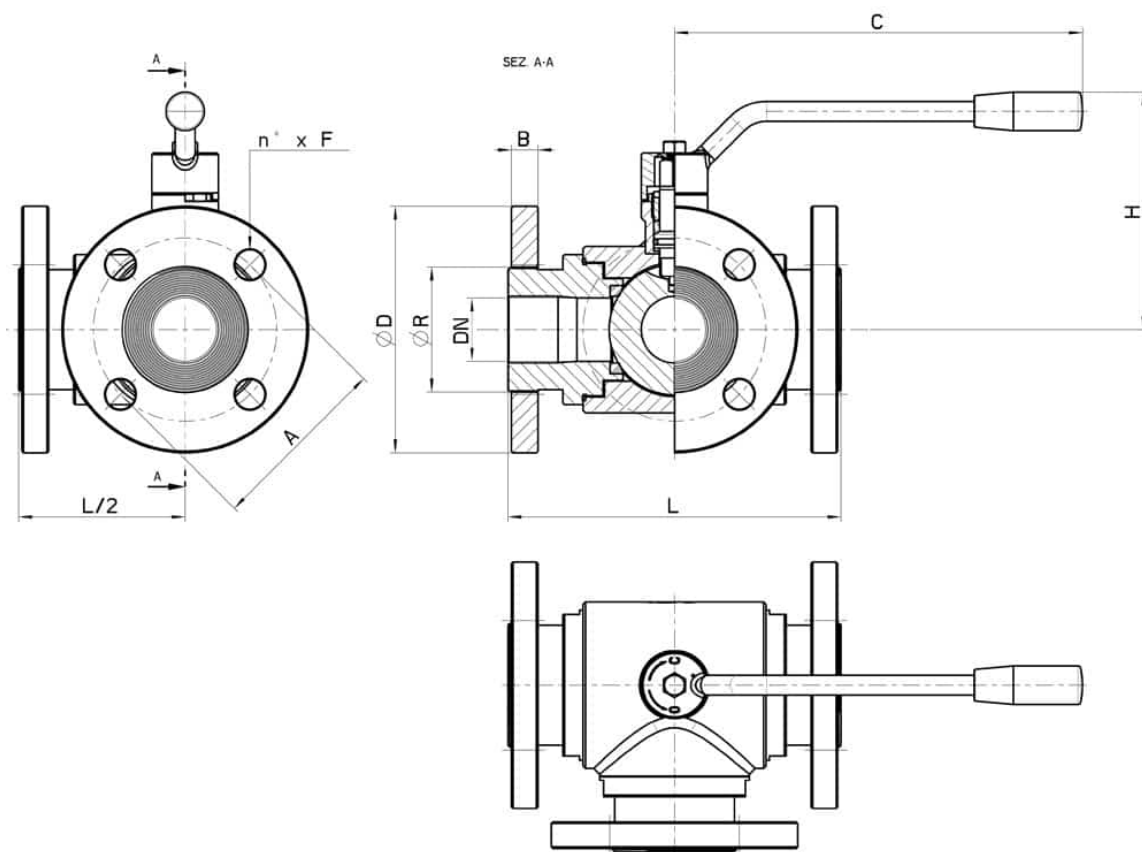


310150_L_STANDARD SEAL_REVOLVING THREADED FLANGES UNI EN 1092-1



THREE-way ball valve 4 seals with "L" port
Drive: Inox lever
Connection: Revolving threaded flanges UNI EN 1092-1
Flow: Full and reduced
Material: Aisi 304L (1.4307) - Aisi 316L (1.4404)
Measure: from DN10 to DN125
Seals: Modified Virgin P.T.F.E.
Operating temperature: -20°C+170°C
Outer finish: Polished

On request: Antistatic device ATEX:
II 2G Ex h IIC T4 Gb
II 2D Ex h IIIC T135°C Db
M.O.C.A. CE 1935/2004
• Seals made of:
PTFE with glass -20°C+170°C
PTFE with carbographite -20°C+180°C
PTFE with inox -20°C+200°C
UHMW High-molecular weight polyethylene -20°C+80°C



DN	DN	L	C	H	Ø D	B	Ø R	A	n° x F	PN	Kg	CODE AISI 304L	CODE AISI 316L
10	10	120	130	85	90	12	30	60	4x14	40	2,70	-	310150 60810
15	15	130	130	90	95	12	35	65	4x14	40	3,24	-	310150 61410
20	20	140	170	100	105	14	42	75	4x14	40	4,81	-	310150 62010
25	25	150	170	110	115	14	51	85	4x14	40	6,22	-	310150 62610
32	32	180	240	130	140	16	63	100	4x18	40	10,62	-	310150 63010
40	40	200	240	140	150	16	75	110	4x18	40	13,87	-	310150 63410
50	50	220	270	150	165	18	89	125	4x18	40	18,40	-	310150 63810
65 *	65	240	300	160	185	18	110	145	4x18	16	23,46	-	310150 64410
65 *	65	240	300	160	185	20	110	145	8x18	40	24,0	-	310152 64410
80 *	80	260	330	175	200	18	120	160	8x18	16	34,12	310150 44810	310150 64810
80 *	80	260	330	175	200	22	120	160	8x18	40	-	310152 44810	310152 64810
100 *	100	300	330	190	220	20	140	180	8x18	16	50,00	310150 45410	310150 65410
125 * (Reduced)	100	325	330	190	250	22	153	210	8x18	19	-	310150 45510	310150 65510

* = 4 Way

