

## 303042\_T\_STANDARD SEALS\_BUTT-WELDING IN ACCORDING TO ISO 1127



THREE-way ball valve 4 seals with "T" port  
Drive: ISO 5211 - DIN 3337 flange for actuator  
Connection: Butt-welding in according to ISO 1127  
Flow: Full  
Material: Aisi 316L (1.4404)  
Measure: from DN10 to DN100  
Seals: Modified Virgin P.T.F.E.  
Operating temperature: -20°C+170°C  
Outer finish: Polished

On request:

Antistatic device ATEX:

II 2G Ex h IIC T4 Gb

II 2D Ex h IIIC T135°C Db

M.O.C.A. CE 1935/2004

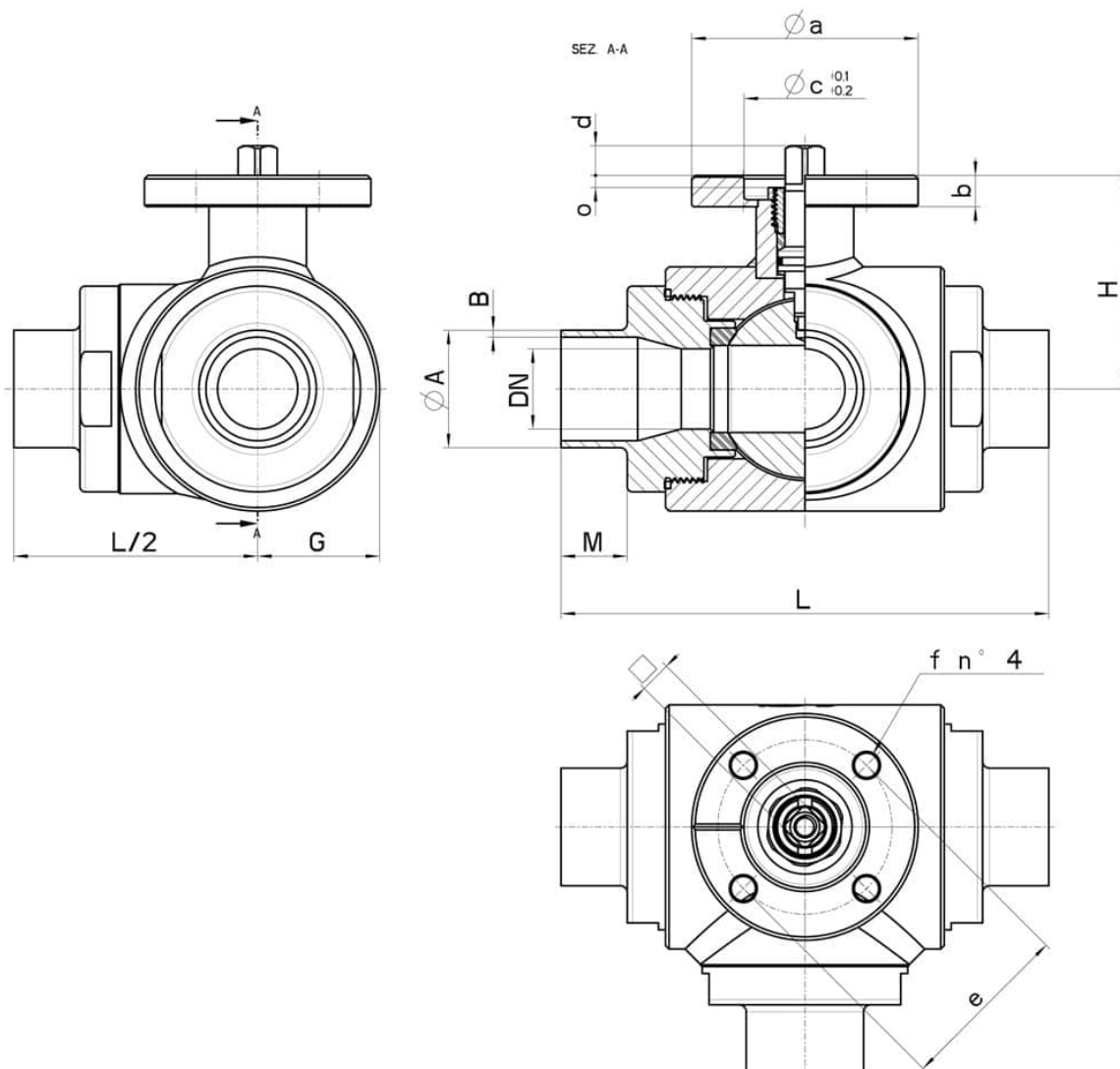
• Seals made of:

PTFE with glass -20°C+170°C

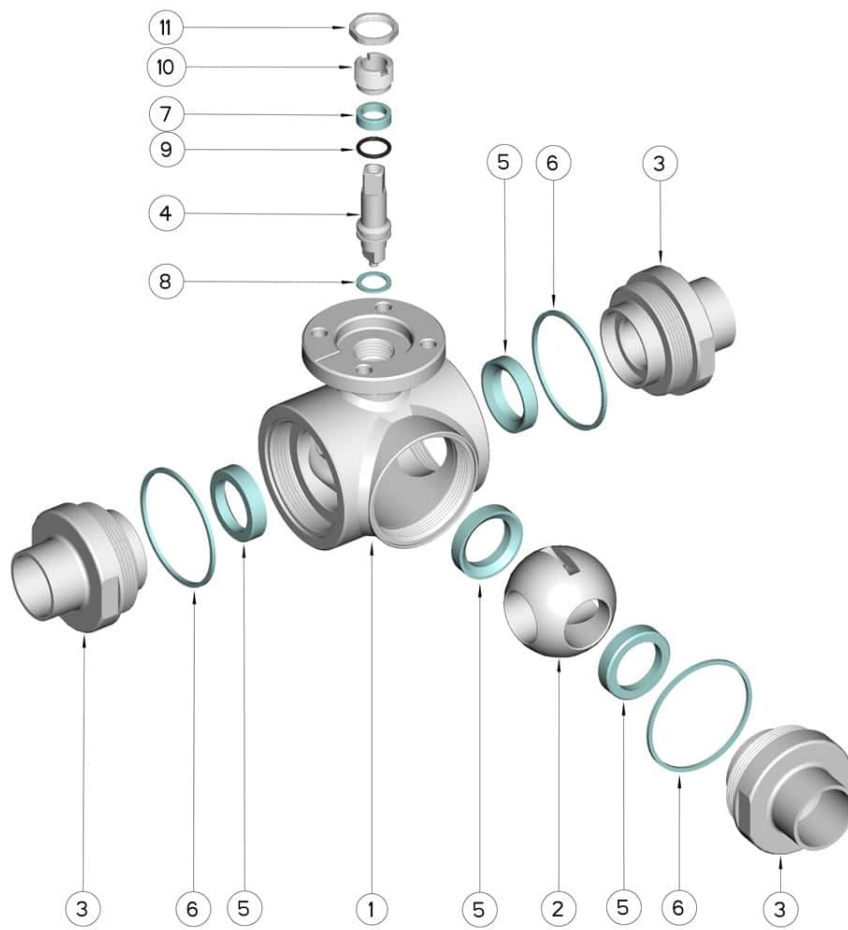
PTFE with carbographite -20°C+180°C

PTFE with inox -20°C+200°C

UHMW High-molecular weight polyethylene -20°C+80°C



DN	Ø A x B	M	L	G	H	PN	Kg	ISO-DIN	Ø a	b	Ø c x o	□	d	e	f	n° 4 BOLTS	Nm	COD. AISI 316L
10	17,2 x 1,65	17	108	22,5	46,5	100	1,00	F.03	46	9	25x3	9	8	36	6	M5x16	10	303042 6B310
10	17,2 x 1,65	17	108	22,5	46,5	100	-	F.04	54	9	30x3	11	10	42	6	M6x16	10	303042 6B31F
15	21,3 x 1,65	18	118	26	49	100	1,30	F.03	46	9	25x3	9	8	36	6	M5x16	12	303042 6C210
15	21,3 x 1,65	18	118	26	49	100	1,30	F.04	54	9	30x3	11	10	42	6	M5x16	12	303042 6C21F
20	26,9 x 1,65	19	130	30	56,5	100	-	F.04	54	9	30x3	11	10	42	6	M5x16	23	303042 6E310
20	26,9 x 1,65	19	130	30	56,5	100	2,12	F.05	65	9	35x3	14	13	50	7	M6x16	23	303042 6E31F
25	33,7 x 2	19	140	35	61	64	-	F.04	54	9	30x3	11	10	42	6	M5x16	25	303042 6H910
25	33,7 x 2	19	140	35	61	64	2,80	F.05	65	12	35x3	14	13	50	7	M6x16	25	303042 6H91F
32	42,4 x 2	19	156	42,5	81,5	64	4,80	F.05	65	12	35x4	14	13	50	7	M6x20	33	303042 6L210
32	42,4 x 2	19	156	42,5	81,5	64	5,12	F.07	90	12	55x4	17	15	70	9	M8x22	33	303042 6L21F
40	48,3 x 2	19	172	50	89	64	-	F.05	65	12	35x4	14	13	50	7	M6x20	40	303042 6M110
40	48,3 x 2	19	172	50	89	64	7,00	F.07	90	12	55x4	17	15	70	9	M8x22	40	303042 6M11F
50	60,3 x 2	19	182	55	91,5	40	8,94	F.07	90	12	55x4	17	15	70	9	M8x22	50	303042 6Q910
50	60,3 x 2	19	182	55	91,5	40	-	F.10	120	12	70x4	22	18	102	11	M10x25	50	303042 6Q91F
65	76,1 x 2	21	196	80	101,5	40	10,15	F.07	90	12	55x7	17	15	70	9	M8x22	60	303042 6U610
65	76,1 x 2	21	196	80	101,5	40	10,82	F.10	120	12	70x7	22	18	102	11	M10x25	60	303042 6U61F
80	88,9 x 2	27	256	100	116	40	-	F.07	90	12	55x4	17	15	70	9	M8x22	110	303042 6W910
80	88,9 x 2	27	256	100	116	40	-	F.10	120	12	70x4	22	18	102	11	M10x25	110	303042 6W91F
100	114,3 x 2	27	286	120	131	16	-	F.07	90	12	55x4	17	15	70	9	M8x22	130	303042 6Y410
100	114,3 x 2	27	286	120	131	16	-	F.10	120	12	70x4	22	18	102	11	M10x25	130	303042 6Y41F



POS.	Denom.	PCS	MAT.
1	Body	1	AISI 316L
2	Ball	1	AISI 316L
3	Sleeves	3	AISI 316L
4	Stem	1	AISI 316L
5	Ball Seals	4	PTFE Vergine Modificato
6	Sleeve Seals	3	PTFE
7	Stem Seal	1	PTFE
8	Stem Seal	1	PTFE
9	Stem or-Seal	1	FKM
10	Register ring	1	AISI 304L (303)
11	Locknut	1	AISI 303

