

303030 T FOR DIN PIPE



THREE-way ball valve 4 seals with "T" port
Drive: ISO 5211 - DIN 3337 flange for actuator
Connection: **CLAMP normative DIN 32676 TAB.2 REIHE A**
For TUBE according to normative DIN 11850
Flow: Ffull and reduced
Material: Aisi 316L (1.4404)
Measure: from DN10 to DN100
Seals: Modified Virgin P.T.F.E.
Operating temperature: -20°C+170°C
Outer finish: Polished

On request:

Antistatic device ATEX:

II 2G Ex h IIC T4 Gb

II 2D Ex h IIIC T135°C Db

M.O.C.A. CE 1935/2004

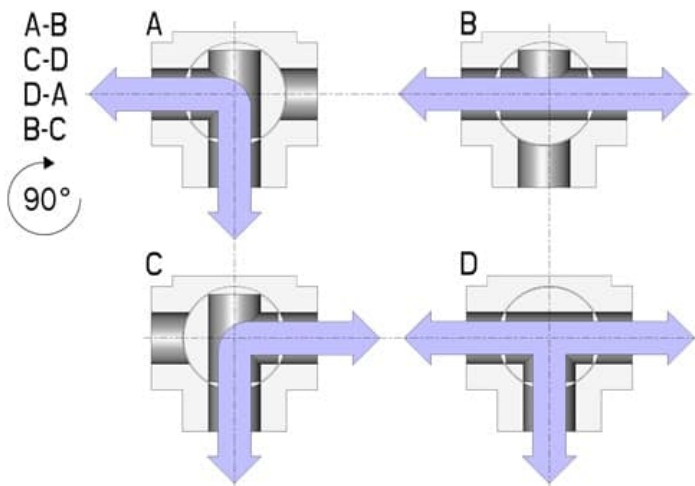
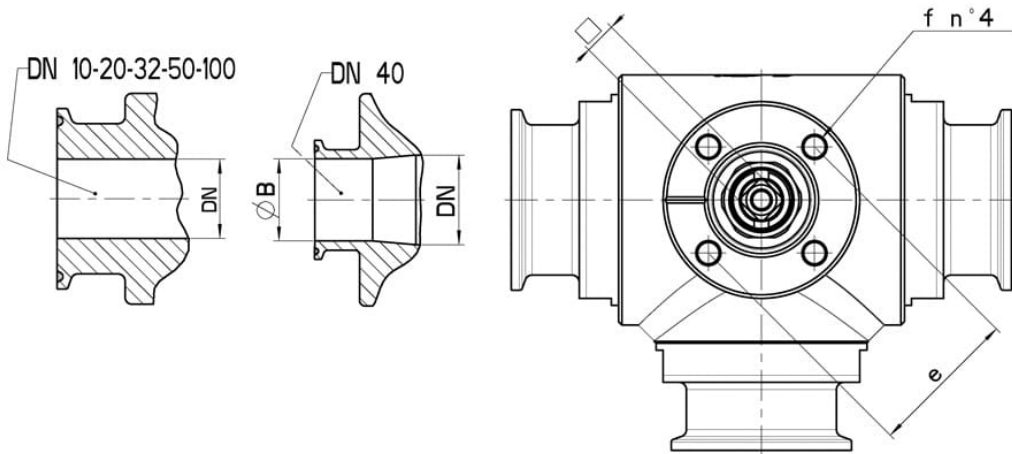
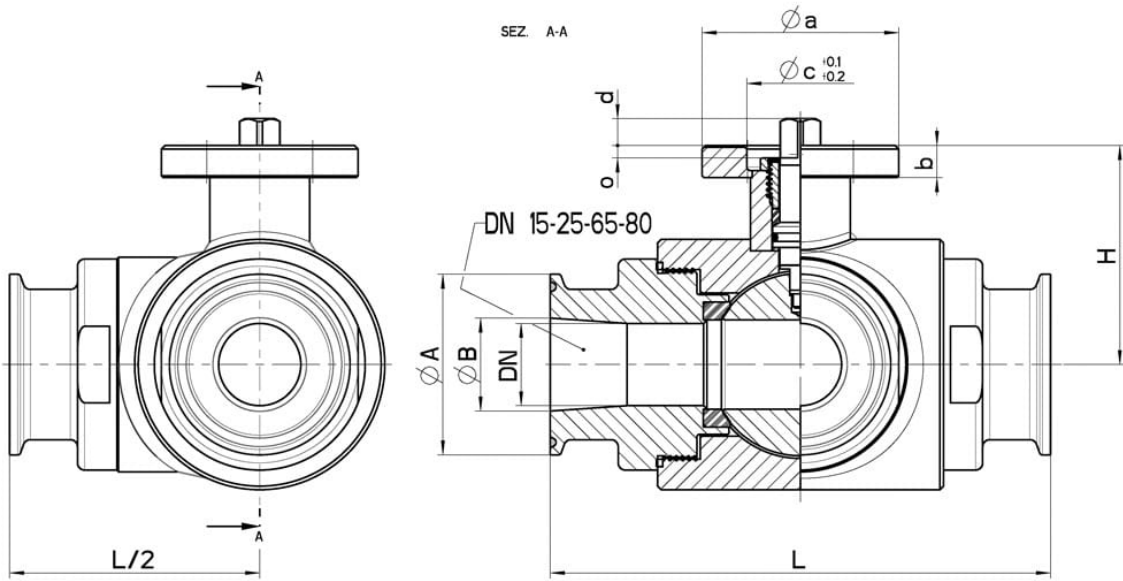
• Seals made of:

PTFE with glass -20°C+170°C

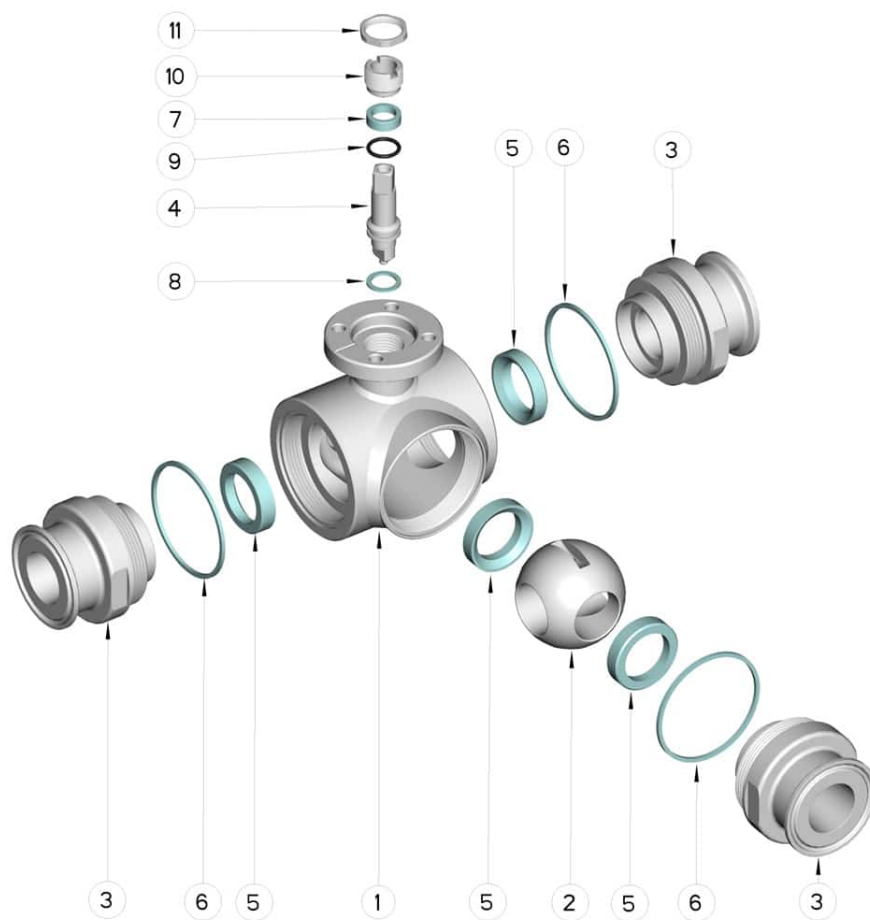
PTFE with carbographite -20°C+180°C

PTFE with inox -20°C+200°C

UHMW High-molecular weight polyethylene -20°C+80°C



CLAMP REIHE A DN	L	Ø A	Ø B	H	PN	Kg	ISO-DIN	Ø a	b	Ø c x o	□	d	e	f	n° 4 BOLTS	Nm	CODE AISI 316L
10	108	34	10	46,5	100	1,06	F.03	45	7	25x3	9	7	36	6	M5x16	10	303030 61410
10	108	34	10	46,5	100	1,10	F.04	55	7	30x3	11	10	42	6	M5x16	10	303030 6141F
15	118	34	16	49	100	1,31	F.03	45	7	25x3	9	8	36	6	M5x16	12	303030 61910
15	118	34	16	49	100	1,35	F.04	55	7	30x3	11	9	42	6	M5x16	12	303030 6191F
20	130	34	20	56,5	100	2,43	F.04	55	9	30x3	11	10	42	6	M5x16	23	303030 62010
20	130	34	20	56,5	100	2,54	F.05	65	9	35x3	14	13	50	7	M6x16	23	303030 6201F
25	140	50,5	26	61	64	3,12	F.04	55	9	30x3	11	10	42	6	M5x16	25	303030 62810
25	140	50,5	26	61	64	3,23	F.05	65	9	35x3	14	12	50	7	M6x16	25	303030 6281F
32	156	50,5	32	81,5	64	4,87	F.05	65	12	35x6	14	13	50	7	M6x20	33	303030 63010
32	156	50,5	32	81,5	64	5,03	F.07	90	12	55x6	17	14	70	9	M8x22	33	303030 6301F
40	172	50,5	38	89	64	7,25	F.05	65	12	35x6	14	13	50	7	M6x20	40	303030 63510
40	172	50,5	38	89	64	7,42	F.07	90	12	55x6	17	14	70	9	M8x22	40	303030 6351F
50	182	64	50	91,5	40	8,65	F.07	90	12	55x7	17	15	70	9	M8x22	50	303030 64010
50	182	64	50	91,5	40	8,82	F.10	120	12	70x7	22	19	102	11	M10x25	50	303030 6401F
65	196	91	66	101,5	40	10,65	F.07	90	12	55x7	17	15	70	9	M8x22	60	303030 64610
65	196	91	66	101,5	40	11,15	F.10	120	12	70x7	22	18	102	11	M10x25	60	303030 6461F
80	256	106	81	116	40	21,85	F.07	90	12	55x5	17	15	70	9	M8x22	110	303030 64910
80	256	106	81	116	40	22,35	F.10	120	12	70x5	22	18	102	11	M10x25	110	303030 6491F
100	286	119	100	131	16	33,80	F.07	90	12	55x5	17	15	70	9	M8x22	130	303030 65610
100	286	119	100	131	16	34,28	F.10	120	12	70x5	22	18	102	11	M10x25	130	303030 6561F



POS.	DENOMINATION	PCS	MAT.
1	Body	1	AISI 316L
2	Ball	1	AISI 316L
3	Sleeves	3	AISI 316L
4	Stem	1	AISI 316L
5	Ball Seals	4	PTFE Vergine Modificato
6	Sleeve Seals	3	PTFE
7	Stem Seal	1	PTFE
8	Stem Seal	1	PTFE
9	Stem or-Seal	1	FKM
10	Register ring	1	AISI 304L (303)
11	Locknut	1	AISI 303

