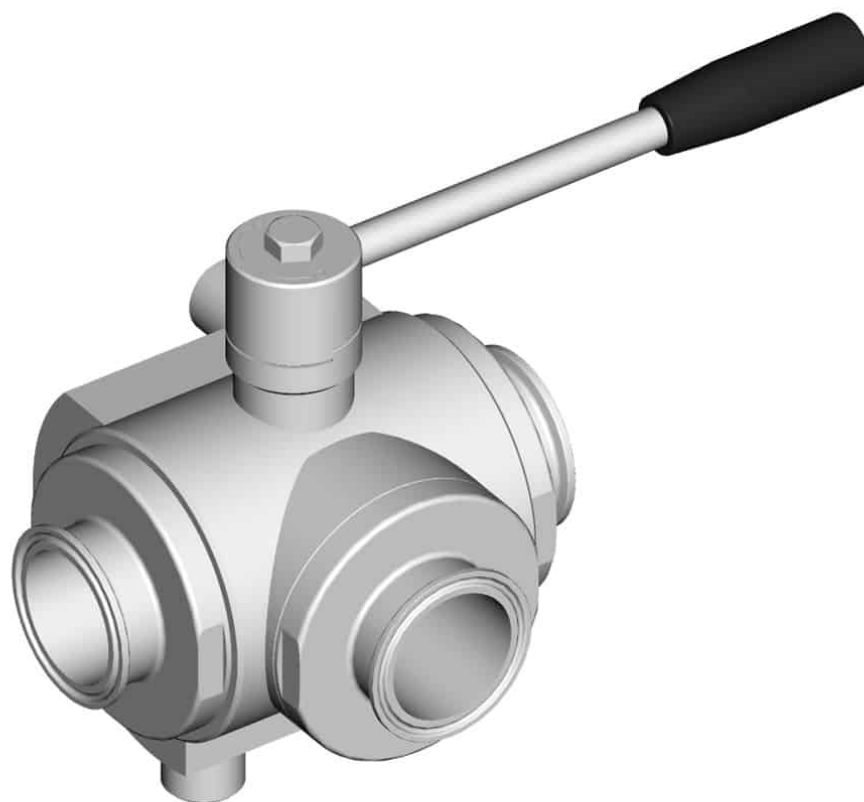


## 300130C T FOR ISO PIPE - HEATING JACKET



THREE-way ball valve 4 seals with "T" port with HEATING JACKET

Drive: Inox lever

Connection: **CLAMP normative DIN 32676 TAB.3 REIHE B**

**For TUBE according to normative ISO 1127**

Flow: Full and reduced

Material: Aisi 316L (1.4404)

Measure: from DN10 to DN100

Seals: Modified Virgin P.T.F.E.

Operating temperature: -20°C +170°C

Outer finish: Polished

On request:

Antistatic device ATEX:

II 2G Ex h IIC T4 Gb

II 2D Ex h IIIC T135°C Db

M.O.C.A. CE 1935/2004

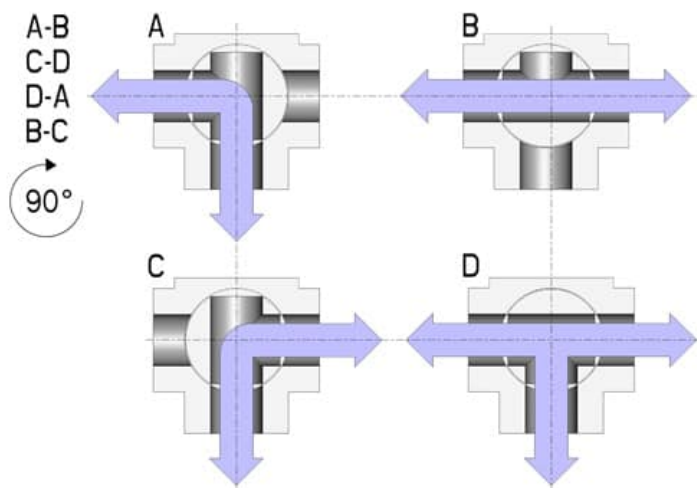
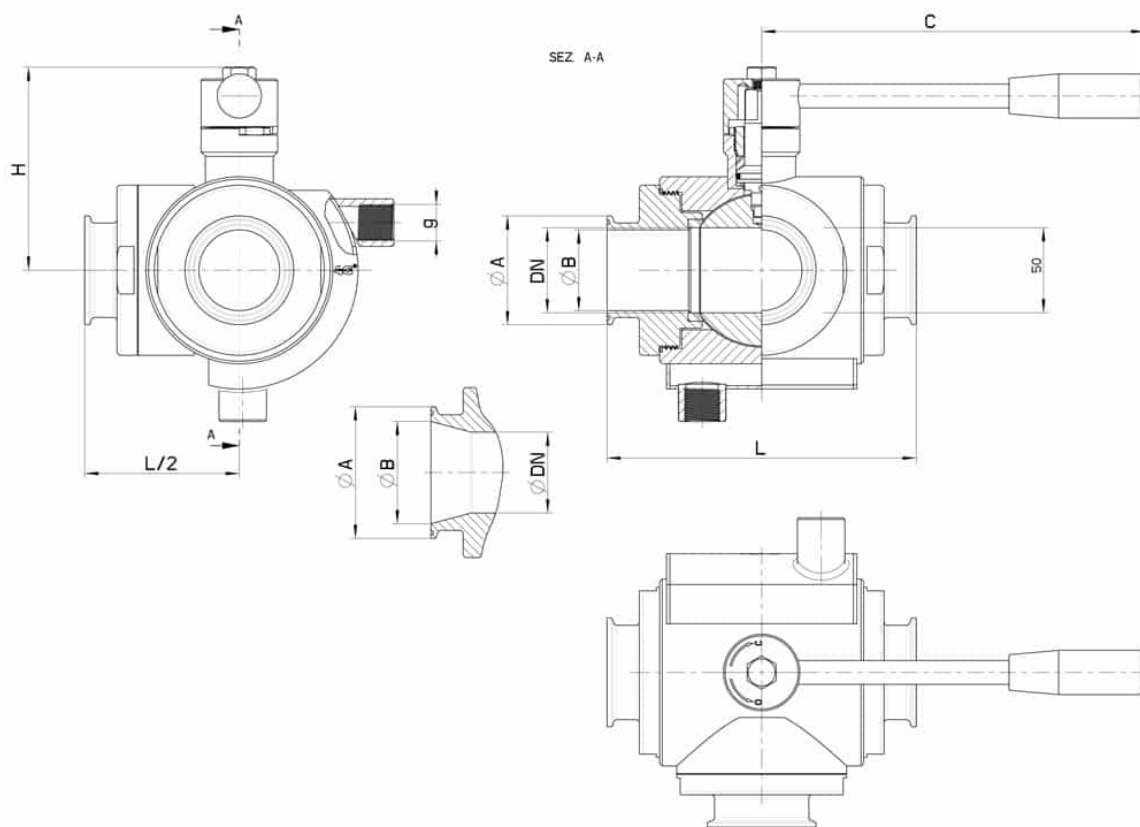
• Seals made of:

PTFE with glass -20°C+170°C

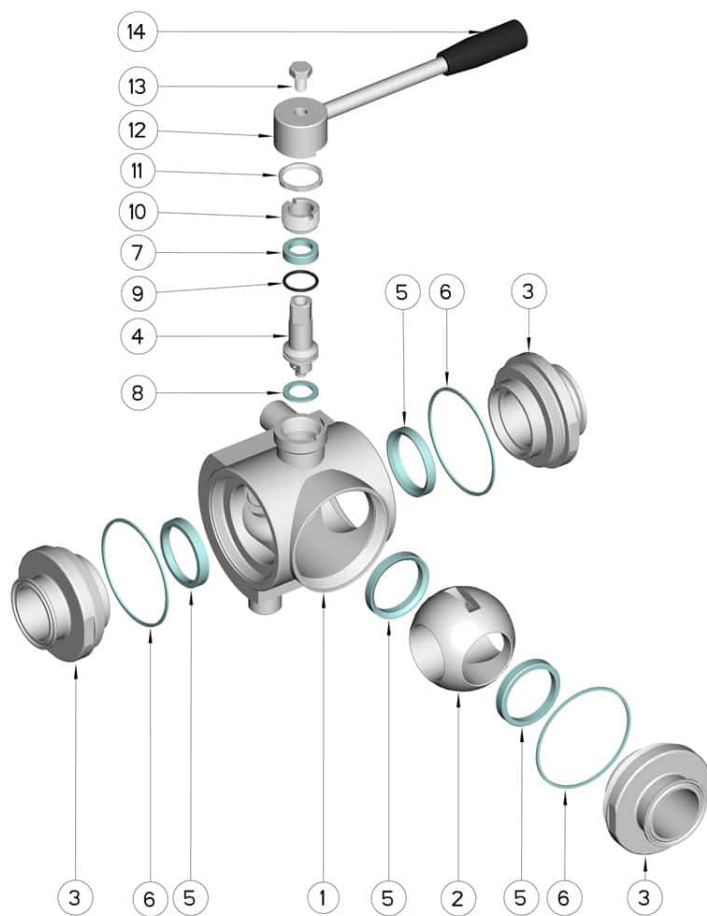
PTFE with carbographite -20°C+180°C

PTFE with inox -20°C+200°C

UHMW High-molecular weight polyethylene -20°C+80°C



CLAMP REIHE B OD	DN	L	Ø A	Ø B	C	H	g	PN	Kg	CODE AISI 316L
13,5	10	108	25	10,3	110	60	3/8"	100	1,22	300130C61110
17,2	15	118	25	14	110	65	3/8"	100	1,54	300130C61710
21,3	20	130	50,5	18,1	160	70	3/8"	100	2,76	300130C62310
26,9	25	140	50,5	23,7	160	76	3/8"	64	3,44	300130C62510
33,7	32	156	50,5	29,7	190	102	1/2"	64	5,58	300130C63110
42,4	40	172	64	38,4	190	110	1/2"	64	8,17	300130C63310
48,3	40	172	64	44,3	190	110	1/2"	64	7,98	300130C63710
60,3	50	182	77,5	56,3	225	116	1/2"	40	9,68	300130C64110
76,1	65	196	91	72,1	290	125	1/2"	40	11,59	300130C64710
88,9	80	256	106	84,3	325	140	1/2"	40	23,11	300130C65110
114,3	100	286	130	109,7	325	155	1/2"	16	36,82	300130C65310



POS.	DENOMINATION	PCS	MAT.
1	Body	1	AISI 304L - 316L
2	Ball	1	AISI 304L - 316L
3	Sleeves	3	AISI 304L - 316L
4	Stem	1	AISI 304L - 316L
5	Ball Seals	4	PTFE Vergine Modificato
6	Sleeve Seals	3	PTFE
7	Stem Seal	1	PTFE
8	Stem Seal	1	PTFE
9	Stem or-Seal	1	FKM
10	Register ring	1	AISI 304L (303)
11	Nut	1	AISI 304L
12	Lever	1	AISI 304L
13	SCREW	1	AISI 304L
14	Handle	1	DUROPLAST (PF)

