

300130 T FOR DIN PIPE



THREE-way ball valve 4 seals with "T" port

Drive: Inox lever

Connection: **CLAMP normative DIN 32676 TAB.2 REIHE A**
For TUBE according to normative DIN 11850

Flow: Full and reduced

Material: Aisi 316L (1.4404)

Measure: from DN10 to DN100

Seals: Modified Virgin P.T.F.E.

Operating temperature: -20°C+170°C

Outer finish: Polished

On request:

Antistatic device ATEX:

II 2G Ex h IIC T4 Gb

II 2D Ex h IIIC T135°C Db

M.O.C.A. CE 1935/2004

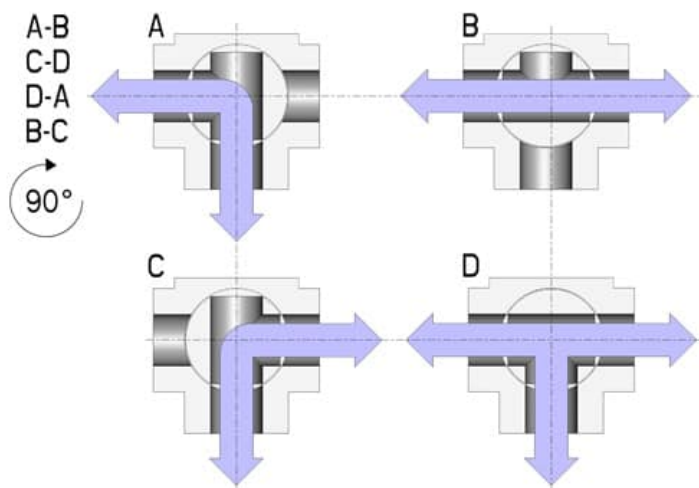
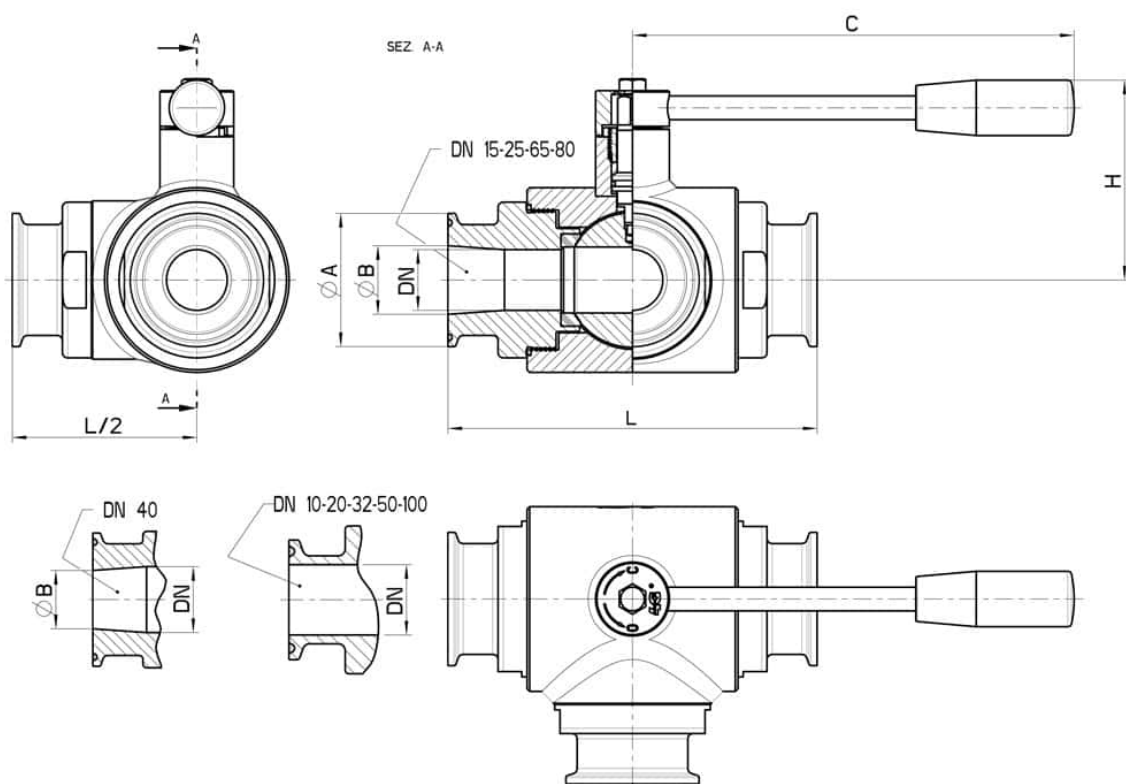
• Seals made of:

PTFE with glass -20°C+170°C

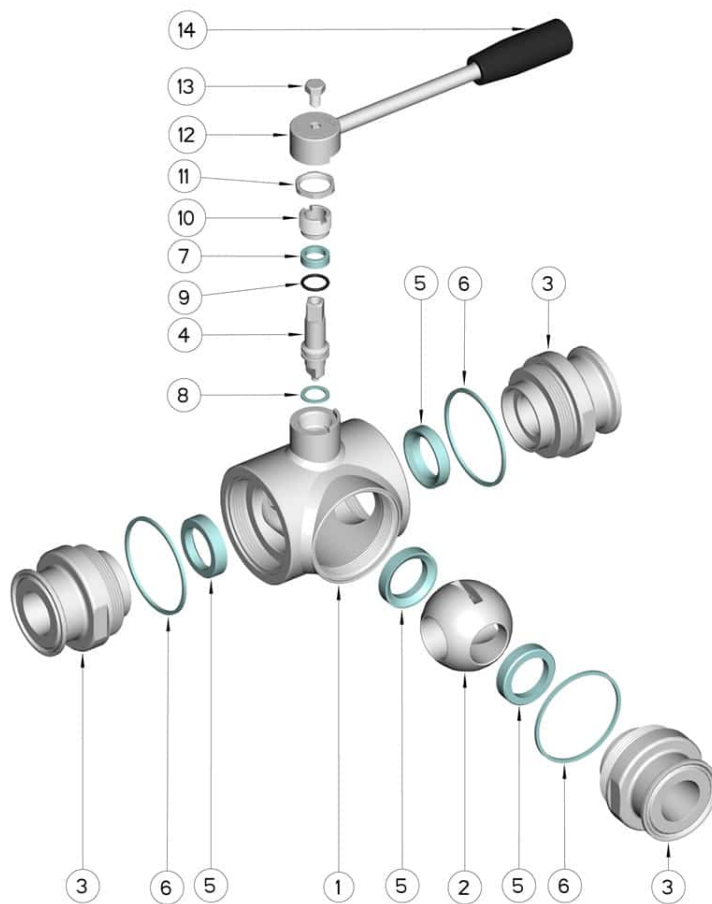
PTFE with carbographite -20°C+180°C

PTFE with inox -20°C+200°C

UHMW High-molecular weight polyethylene -20°C+80°C



CLAMP REIHE A DN	L	Ø A	Ø B	C	H	PN	Kg	CODE AISI 316L
10	108	34	10	110	60	100	1,08	300130 61410
15	118	34	16	110	65	100	1,45	300130 61910
20	130	34	20	160	70	100	2,06	300130 62010
25	140	50,5	26	160	76	64	3,17	300130 62810
32	156	50,5	32	190	102	64	5,07	300130 63010
40	172	50,5	38	190	110	64	7,26	300130 63510
50	182	64	50	225	116	40	8,84	300130 64010
65	196	91	66	290	125	40	11,22	300130 64610
80	256	106	81	325	140	40	22,73	300130 64910
100	286	119	100	325	155	16	35,06	300130 65610



POS.	DENOMINATION	PCS	MAT.
1	Body	1	AISI 304L - 316L
2	Ball	1	AISI 304L - 316L
3	Sleeves	3	AISI 304L - 316L
4	Stem	1	AISI 304L - 316L
5	Ball Seals	4	PTFE Vergine Modificato
6	Sleeve Seals	3	PTFE
7	Stem Seal	1	PTFE
8	Stem Seal	1	PTFE
9	Stem or-Seal	1	FKM
10	Register ring	1	AISI 304L (303)
11	Nut	1	AISI 304L
12	Lever	1	AISI 304L
13	SCREW	1	AISI 304L
14	Handle	1	DUROPLAST (PF)

