

300101C_T_4 SEALS STANDARD SEALS - ISO 228 F - HEATING JACKET



THREE-way ball valve 4 seals with "T" port with HEATING JACKET

Drive: Inox lever

Connection: ISO 228 female/female/female thread

Flow: Full

Material: Aisi 304L (1.4307) - Aisi 316L (1.4404)

Measure: from 1/4" to 4"

Seals: Modified Virgin P.T.F.E.

Operating temperature: -20°C+170°C

Outer finish: Polished

On request:

Antistatic device ATEX:

II 2G Ex h IIC T4 Gb

II 2D Ex h IIIC T135°C Db

M.O.C.A. CE 1935/2004

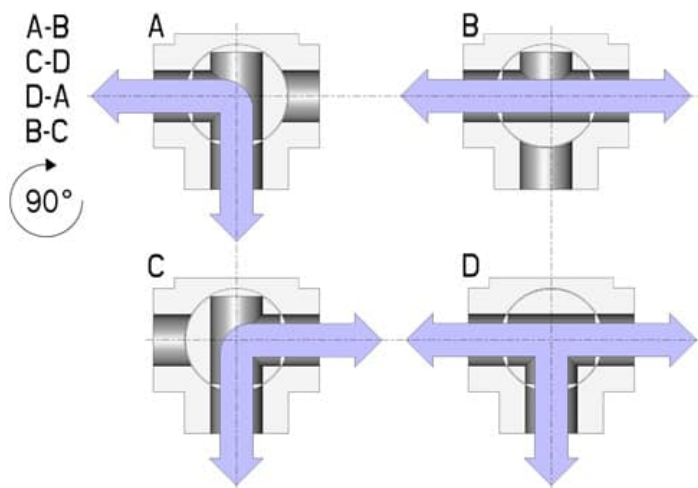
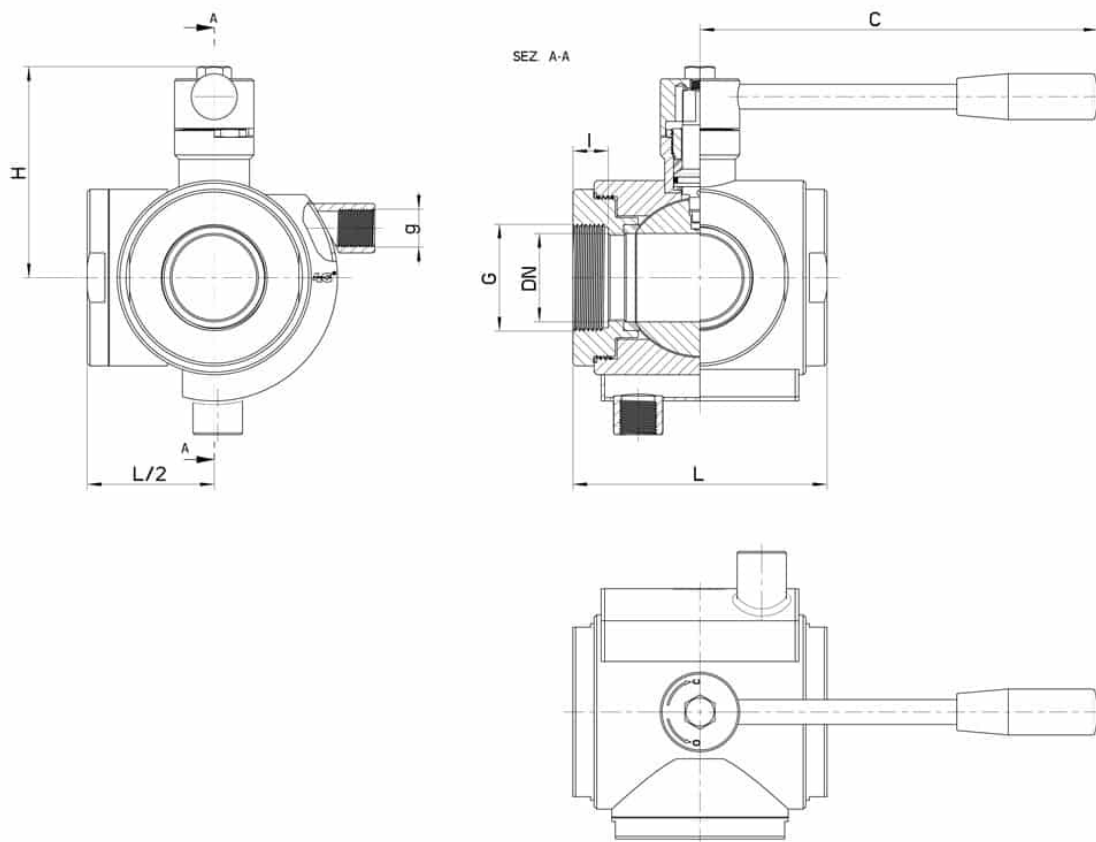
• Seals made of:

PTFE with glass -20°C+170°C

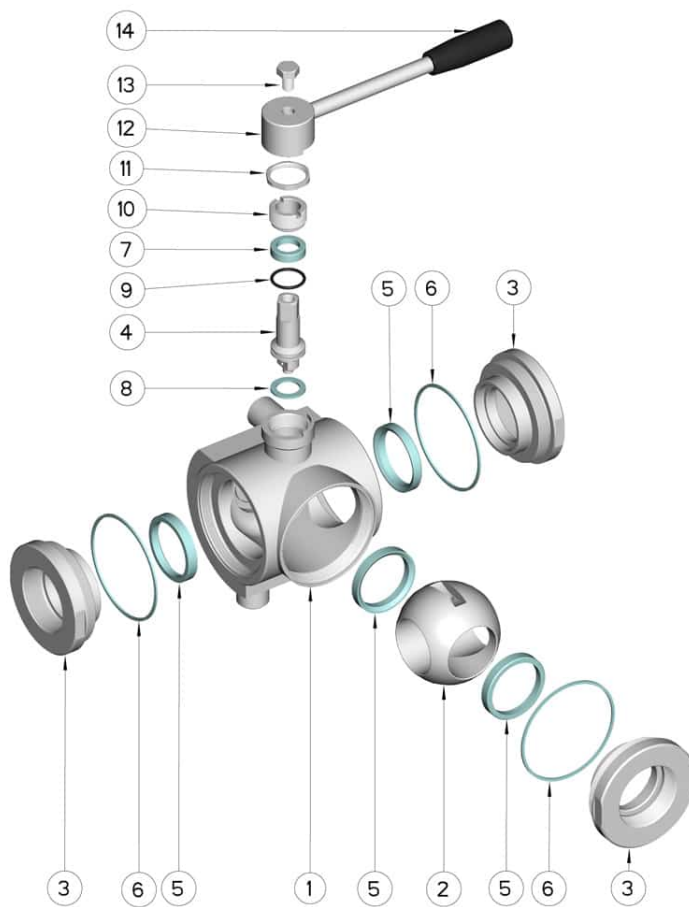
PTFE with carbographite -20°C+180°C

PTFE with inox -20°C+200°C

UHMW High-molecular weight polyethylene -20°C+80°C



G	DN	L	I	C	H	g	PN	Kg	CODE AISI 304L	CODE AISI 316L
1/4"	12	72	16	110	60	3/8"	100	1,09	-	300101C60410
3/8"	12	72	16	110	60	3/8"	100	1,06	-	300101C60810
1/2"	15	82	18	110	65	3/8"	100	1,42	-	300101C61410
3/4"	20	92	19	160	70	3/8"	100	2,10	-	300101C62010
1"	25	102	20	160	76	3/8"	64	2,76	-	300101C62610
1"1/4"	32	118	20	190	102	1/2"	64	4,96	-	300101C63010
1"1/2"	40	134	20	190	110	1/2"	64	7,32	-	300101C63410
2"	50	144	20	225	116	1/2"	40	8,73	-	300101C63810
2"1/2"	65	160	22	290	125	1/2"	40	10,45	-	300101C64410
3"	80	200	26	325	140	1/2"	40	21,55	300101C44810	300101C64810
4"	100	240	26	325	155	1/2"	16	34,13	300101C45410	300101C65410



POS.	DENOMINATION	PCS	MAT.
1	Body	1	AISI 304L - 316L
2	Ball	1	AISI 304L - 316L
3	Sleeves	3	AISI 304L - 316L
4	Stem	1	AISI 304L - 316L
5	Ball Seals	4	PTFE Vergine Modificato
6	Sleeve Seals	3	PTFE
7	Stem Seal	1	PTFE
8	Stem Seal	1	PTFE
9	Stem or-Seal	1	FKM
10	Register ring	1	AISI 304L (303)
11	Nut	1	AISI 304L
12	Lever	1	AISI 304L
13	SCREW	1	AISI 304L
14	Handle	1	DUROPLAST (PF)

