

616009 STANDARD SEALS - ISO 228 F/M WITH VENT



TWO-way ball valve MIGNON with VENT

Drive: Nylon lever

Connection: ISO 228 male/female thread

Flow: Full and reduced

Material: Aisi 316L (1.4404)

Measure: from 1/4" to 1/2"

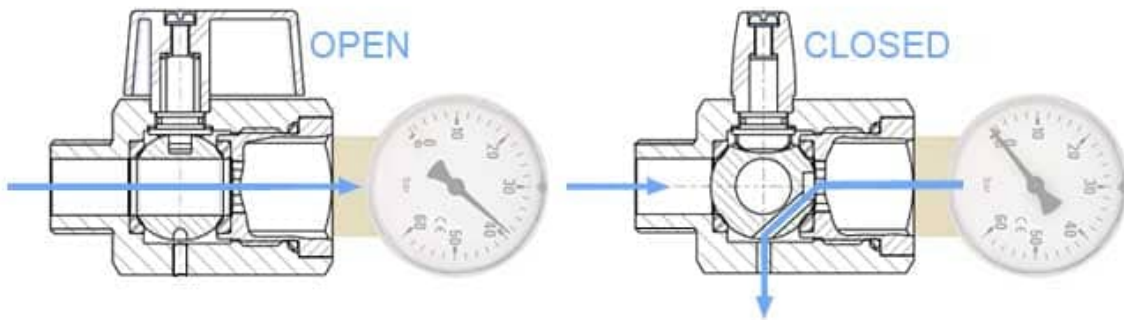
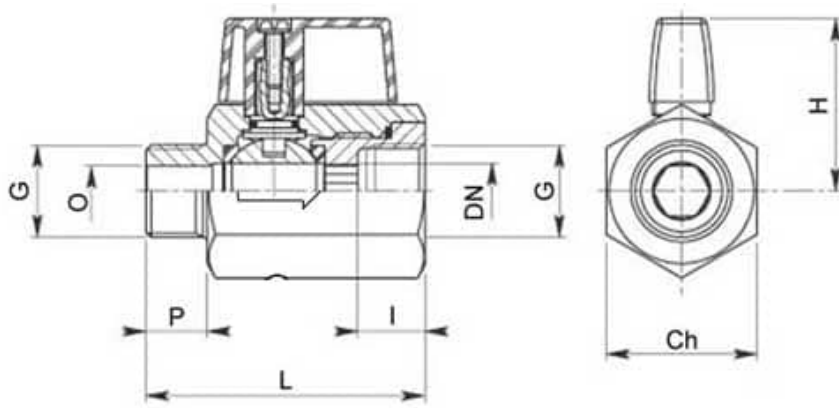
Seals: Virgin P.T.F.E.

Operating temperature: -20°C+160°C

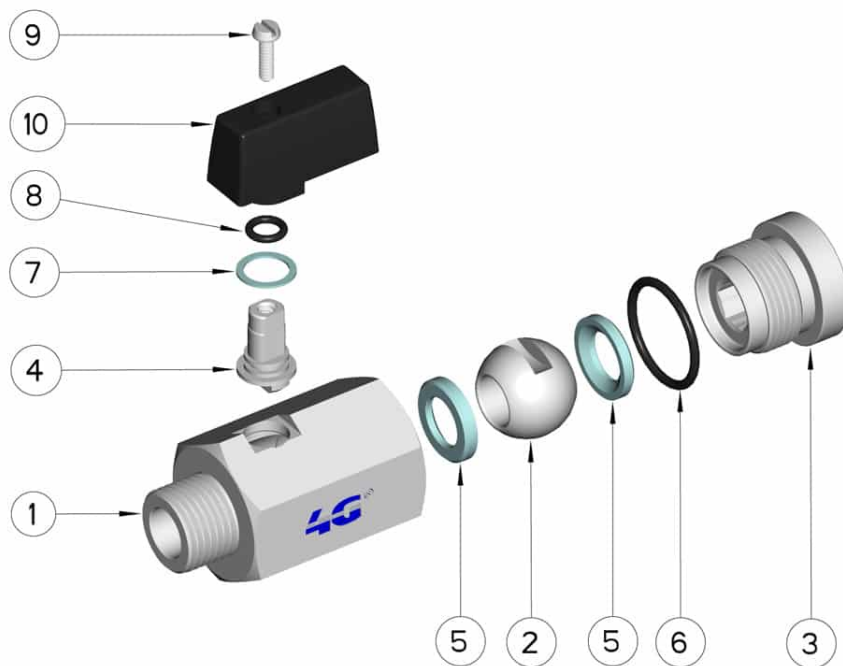
Outer finish: Polished

On request:

M.O.C.A. CE 1935/2004



G	DN	L	I	O	P	H	CH	PN	Kg.	CODE AISI 316L
1/4"	10	50	12	8	11	30	27	40	0,12	616009 60410
3/8"	10	50	12	10	11	30	27	40	0,13	616009 60810
1/2"	10	50	12	10	11	30	27	40	0,13	616009 61210



POS.	DENOMINATION	PCS	MAT.
1	Body	1	AISI 316L
2	Ball	1	AISI 316L
3	Sleeve	1	AISI 316L
4	Stem	1	AISI 316L
5	Ball Seals	2	PTFE
6	Sleeve Seal	1	FKM (Viton)
7	Stem Seal	1	PTFE
8	Stem or-Seal	1	FKM
9	SCREW	1	AISI 304L
10	Lever	1	Nylon

