

523042_STANDARD SEALS_BUTT-WELDING IN ACCORDING TO ISO 1127



TWO-way ball valve, Three Pieces, revolving round sleeves

Drive: ISO 5211 - DIN 3337 flange for actuator

Connection: Butt-welding in according to ISO 1127

Flow: Full

Material: Aisi 316L (1.4404)

Measure: from DN15 to DN100

Seals: Virgin P.T.F.E.

Operating temperature: -20°C+160°C

Outer finish: Polished

On request:

Antistatic device ATEX:

II 2G Ex h IIC T4 Gb

II 2D Ex h IIC T135°C Db

M.O.C.A. CE 1935/2004

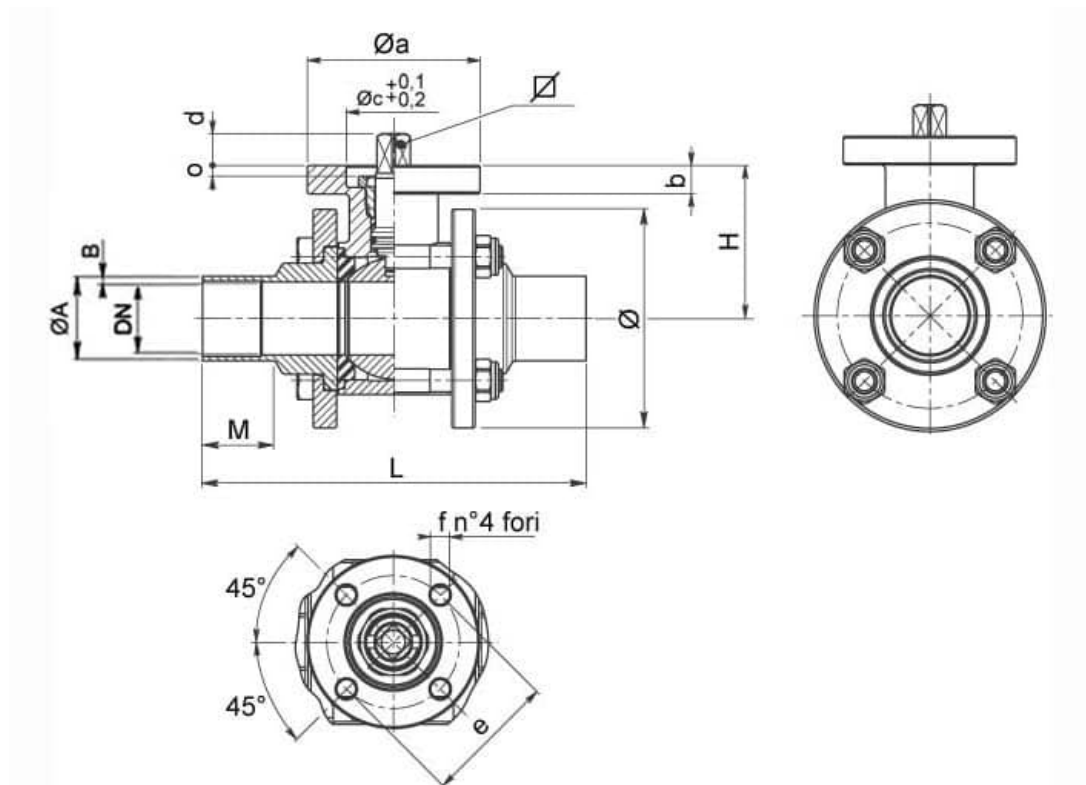
• Seals made of:

PTFE with glass -20°C+170°C

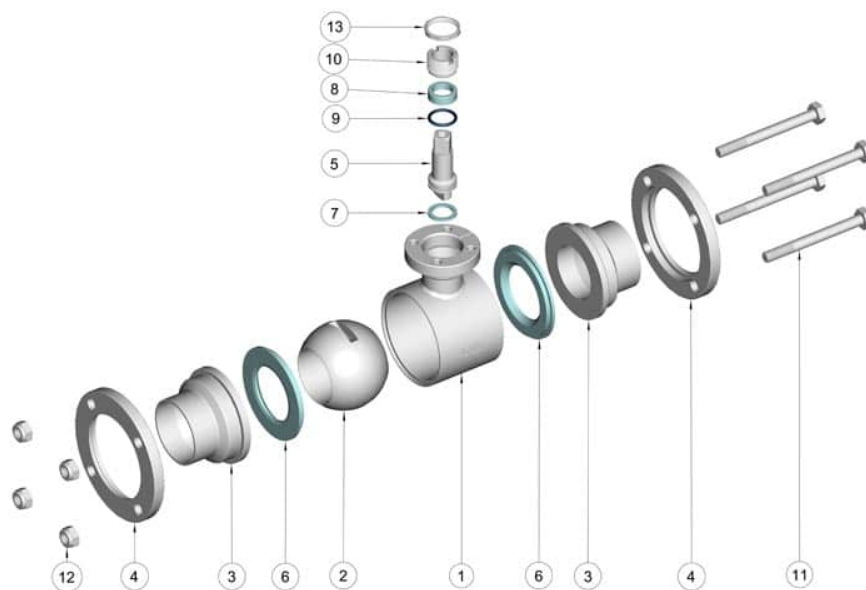
PTFE with carbographite -20°C+180°C

PTFE with inox -20°C+200°C

UHMW High-molecular weight polyethylene -20°C+80°C



DN	L	H	M	ØA x B	Ø	STAY BOLTS	TIGHTENING	PN	Kg	ISO-DIN	Ø a	b	Ø c x o	□	d	e	f	n° 4 BOLTS	Nm	CODE AISI 316L
15	95	41,5	20	17,2 x 1,65	55	6 x 45	4	64	---	F.03	46	9	25x3	9	8	36	6	M5x14	7	523042 6B410
15	95	41,5	20	17,2 x 1,65	55	6 x 45	4	64	--	F.04	54	9	30x3	11	10	42	6	M5x14	7	523042 6B41F
15	95	41,5	20	21,3 x 1,65	55	6 x 45	4	64	--	F.03	46	9	25x3	9	8	36	6	M5x14	7	523042 6C210
15	95	41,5	20	21,3 x 1,65	55	6 x 45	4	64	--	F.04	54	9	30x3	11	10	42	6	M5x14	7	523042 6C21F
20	106	45	22	26,9 x 1,65	60	6 x 50	4	40	--	F.03	46	9	25x3	9	8	36	6	M5x14	10	523042 6E310
20	106	45	22	26,9 x 1,65	60	6 x 50	4	40	--	F.04	54	9	30x3	11	10	42	6	M5x14	10	523042 6E31F
25	118	51,5	22	33,7 x 2	75	8 x 65	8	40	--	F.04	54	9	30x3	11	10	42	6	M5x16	18	523042 6H910
25	118	51,5	22	33,7 x 2	75	8 x 65	8	40	1,42	F.05	65	9	35x3	14	13	50	7	M6x16	18	523042 6H91F
32	126	56,5	23	42,4 x 2	85	8 x 70	10	25	---	F.04	54	9	30x3	11	10	42	6	M5x16	20	523042 6L210
32	126	56,5	23	42,4 x 2	85	8 x 70	10	25	1,82	F.05	65	9	35x3	14	13	50	7	M6x16	20	523042 6L21F
40	145	74	25	48,3 x 2	100	10 x 90	12	25	--	F.05	65	12	35x4	14	13	50	7	M6x20	25	523042 6M110
40	145	74	25	48,3 x 2	100	10 x 90	12	25	--	F.07	90	12	55x4	17	15	70	9	M8x20	25	523042 6M11F
50	165	82	25	60,3 x 2	120	10 x 100	13	25	4,62	F.05	65	12	35x4	14	13	50	7	M6x20	35	523042 6Q910
50	165	82	25	60,3 x 2	120	10 x 100	13	25	4,30	F.07	90	12	55x4	17	15	70	9	M8x20	35	523042 6Q91F
65	191	94,5	27	76,1 x 2	140	10 x 120	20	25	--	F.07	90	12	55x4	17	15	70	9	M8x20	45	523042 6U610
65	191	94,5	27	76,1 x 2	140	10 x 120	20	25	--	F.10	125	12	70x4	22	18	102	11	M10x25	45	523042 6U61F
80	208	106	27	88,9 x 2	165	10 x 140	20	16	--	F.07	90	12	55x4	17	15	70	9	M8x20	60	523042 6W910
80	208	106	27	88,9 x 2	165	10 x 140	20	16	--	F.10	125	12	70x4	22	18	102	11	M10x25	60	523042 6W91F
100	230	120	27	114,3 x 2	200	12 x 170	22	16	--	F.07	90	12	55x4	17	15	70	9	M8x20	90	523042 6Y410
100	230	120	27	114,3 x 2	200	12 x 170	22	16	19,00	F.10	125	12	70x4	22	18	102	11	M10x25	90	523042 6Y41F



POS.	DENOMINATION	PCS	MAT.
1	Body	1	AISI 304L-316L
2	Ball	1	AISI 304L-316L
3	Sleeves	2	AISI 304L-316L
4	Flanges for sleeves	2	AISI 304L-316L
5	Stem	1	AISI 316L
6	Ball Seals	1	PTFE
7	Stem Seal	1	PTFE
8	Stem Seal	1	PTFE
9	OR tenuta perno	1	FKM
10	Register ring	1	AISI 304L (303)
11	Stay bolt	4	AISI 304L
12	Self-clamping nut	4	AISI 304L
13	Locknut	1	AISI 303

