

523042_STANDARD SEALS_BUTT-WELDING IN ACCORDING TO BS-OD (ASTM A-270)



TWO-way ball valve, Three Pieces, revolving round sleeves
Drive: ISO 5211 - DIN 3337 flange for actuator
Connection: Butt-welding in according to BS-OD (ASTM A-270)
Flow: Full
Material: Aisi 316L (1.4404)
Measure: from DN10 to DN100
Seals: Virgin P.T.F.E.
Operating temperature: -20°C+160°C
Outer finish: Polished

On request:

Antistatic device ATEX:

II 2G Ex h IIC T4 Gb

II 2D Ex h IIIC T135°C Db

M.O.C.A. CE 1935/2004

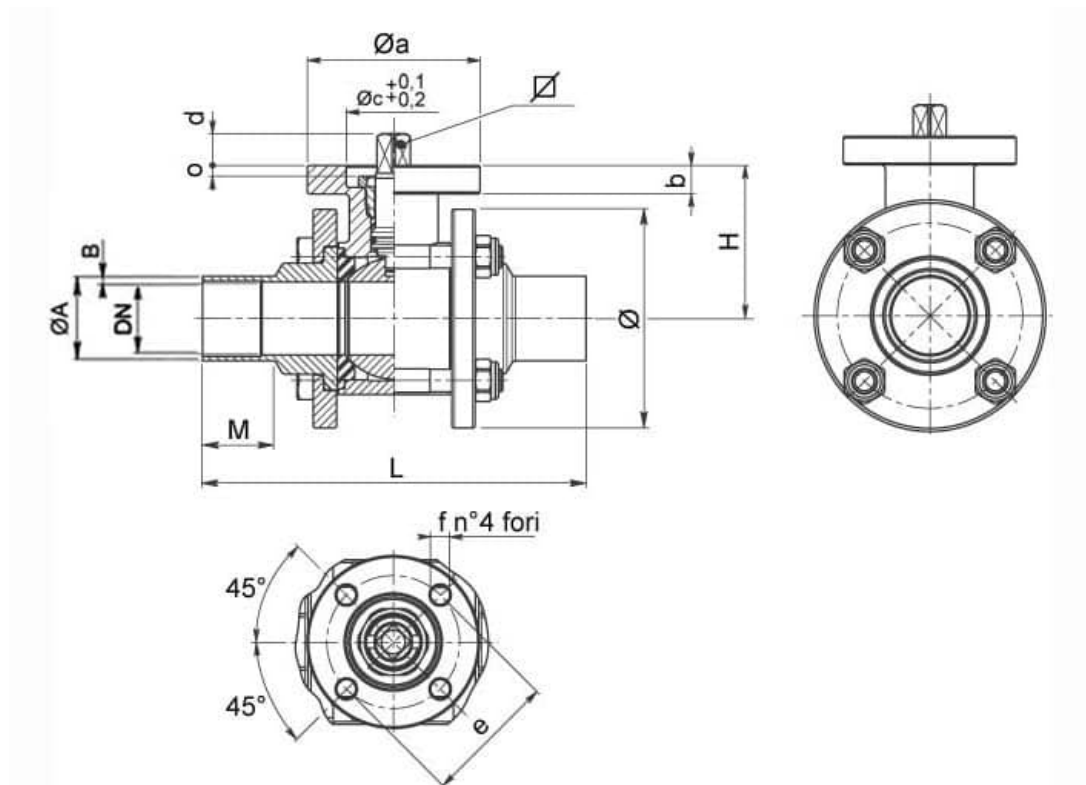
• Seals made of:

PTFE with glass -20°C+170°C

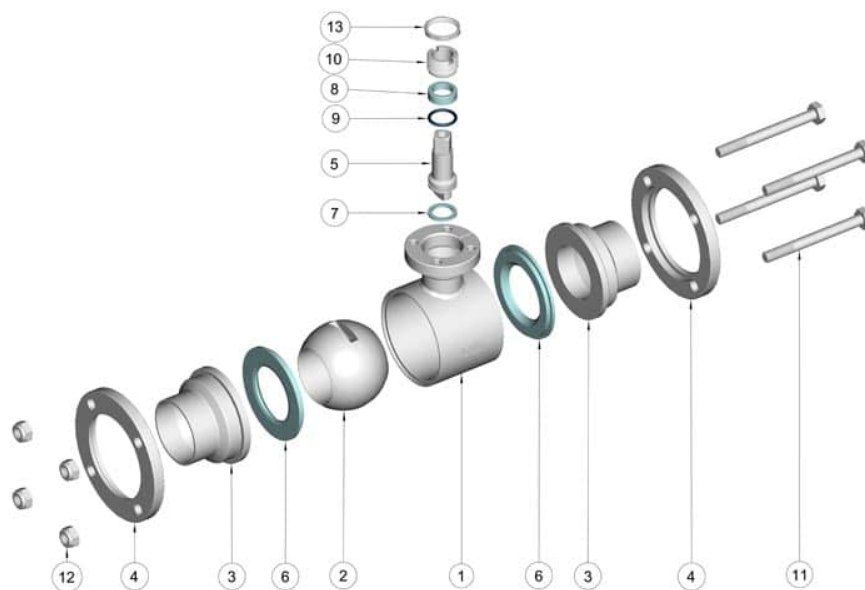
PTFE with carbographe -20°C+180°C

PTFE with inox -20°C+200°C

UHMW High-molecular weight polyethylene -20°C+80°C



DN	L	H	M	ØA x B	Ø	STAY BOLTS	TIGHTENING	PN	Kg	ISO-DIN	Ø a	b	Ø C x O	□	d	e	f	n° 4 BOLTS	Nm	COD. AISI 316L
10	95	41,5	20	12,7 x 1,65	55	6 x 45	4	64	---	F.03	46	9	25x3	9	8	36	6	M5x14	7	523042 6A710
10	95	41,5	20	12,7 x 1,65	55	6 x 45	4	64	--	F.04	54	9	30x3	11	10	42	6	M5x14	7	523042 6A71F
15	95	41,5	20	19,05 x 1,65	55	6 x 45	4	64	0,50	F.03	46	9	25x3	9	8	36	6	M5x14	7	523042 6B910
15	95	41,5	20	19,05 x 1,65	55	6 x 45	4	64	--	F.04	54	9	30x3	11	10	42	6	M5x14	7	523042 6B91F
20	106	45	22	25,4 x 1,65	60	6 x 50	4	40	0,75	F.03	46	9	25x3	9	8	36	6	M5x14	10	523042 6D710
20	106	45	22	25,4 x 1,65	60	6 x 50	4	40	--	F.04	54	9	30x3	11	10	42	6	M5x14	10	523042 6D71F
25	118	51,5	22	25,4 x 1,65	75	8 x 65	8	40	1,35	F.04	54	9	30x3	11	10	42	6	M5x16	18	523042 6D810
25	118	51,5	22	25,4 x 1,65	75	8 x 65	8	40	1,35	F.05	65	9	35x3	14	13	50	7	M6x16	18	523042 6D81F
32	126	56,5	23	38,1 x 1,65	85	8 x 70	10	25	---	F.04	54	9	30x3	11	10	42	6	M5x16	20	523042 6J910
32	126	56,5	23	38,1 x 1,65	85	8 x 70	10	25	--	F.05	65	9	35x3	14	13	50	7	M6x16	20	523042 6J91F
40	145	74	25	38,1 x 1,65	100	10 x 90	12	25	2,96	F.05	65	12	35x4	14	13	50	7	M6x20	25	523042 6K110
40	145	74	25	38,1 x 1,65	100	10 x 90	12	25	--	F.07	90	12	55x4	17	15	70	9	M8x20	25	523042 6K11F
50	165	82	25	50,8 x 1,65	120	10 x 100	13	25	4,497	F.05	65	12	35x4	14	13	50	7	M6x20	35	523042 6M810
50	165	82	25	50,8 x 1,65	120	10 x 100	13	25	4,30	F.07	90	12	55x4	17	15	70	9	M8x20	35	523042 6M81F
65	191	94,5	27	63,5 x 1,65	140	10 x 120	20	25	7,045	F.07	90	12	55x4	17	15	70	9	M8x20	45	523042 6R710
65	191	94,5	27	63,5 x 1,65	140	10 x 120	20	25	--	F.10	125	12	70x4	22	18	102	11	M10x25	45	523042 6R71F
80	208	106	27	76,1 x 2	165	10 x 140	20	16	10,82	F.07	90	12	55x4	17	15	70	9	M8x20	60	523042 6U710
80	208	106	27	76,1 x 2	165	10 x 140	20	16	--	F.10	125	12	70x4	22	18	102	11	M10x25	60	523042 6U71F
100	230	120	27	101,6 x 2,11	200	12 x 170	22	16	--	F.07	90	12	55x4	17	15	70	9	M8x20	90	523042 6X410
100	230	120	27	101,6 x 2,11	200	12 x 170	22	16	--	F.10	125	12	70x4	22	18	102	11	M10x25	90	523042 6X41F



POS.	DENOMINATION	PCS	MAT.
1	Body	1	AISI 304L-316L
2	Ball	1	AISI 304L-316L
3	Sleeves	2	AISI 304L-316L
4	Flanges for sleeves	2	AISI 304L-316L
5	Stem	1	AISI 316L
6	Ball Seals	1	PTFE
7	Stem Seal	1	PTFE
8	Stem Seal	1	PTFE
9	OR tenuta perno	1	FKM
10	Register ring	1	AISI 304L (303)
11	Stay bolt	4	AISI 304L
12	Self-clamping nut	4	AISI 304L
13	Locknut	1	AISI 303

