

## 513030 FOR ISO PIPE



TWO-way ball valve, Three Pieces  
Drive: ISO 5211 - DIN 3337 flange for actuator  
Connection: **CLAMP normative DIN 32676 TAB.3 REIHE B**  
**For TUBE according to normative ISO 1127**  
Flow: Full and reduced  
Material: Aisi 316L (1.4404)  
Measure: from DN10 to DN100  
Seals: Virgin P.T.F.E.  
Operating temperature: -20°C+160°C  
Outer finish: Polished

On request:

Antistatic device ATEX:

II 2G Ex h IIC T4 Gb

II 2D Ex h IIIC T135°C Db

M.O.C.A. CE 1935/2004

• Seals made of:

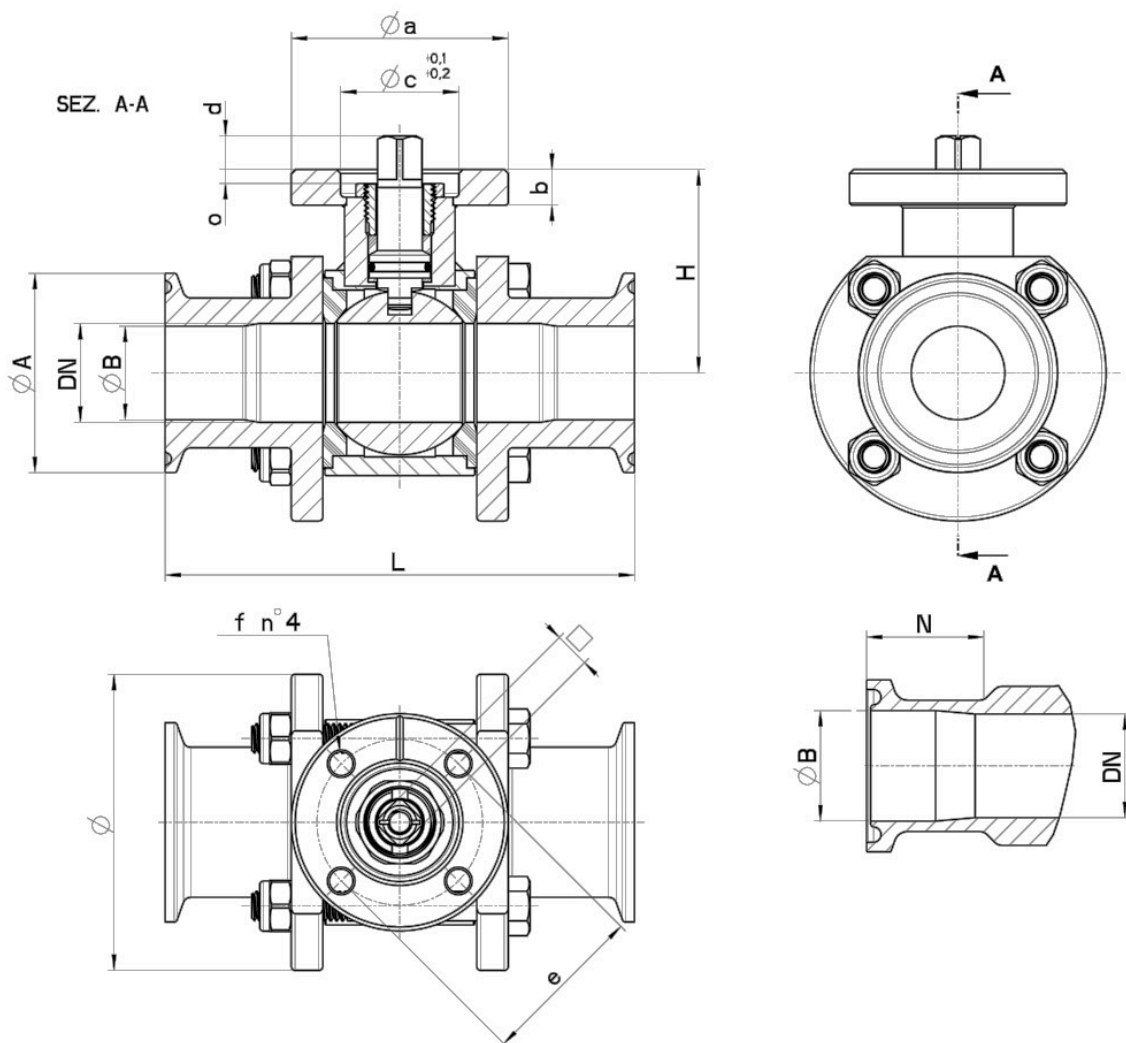
PTFE with glass -20°C+170°C

PTFE with carbographite -20°C+180°C

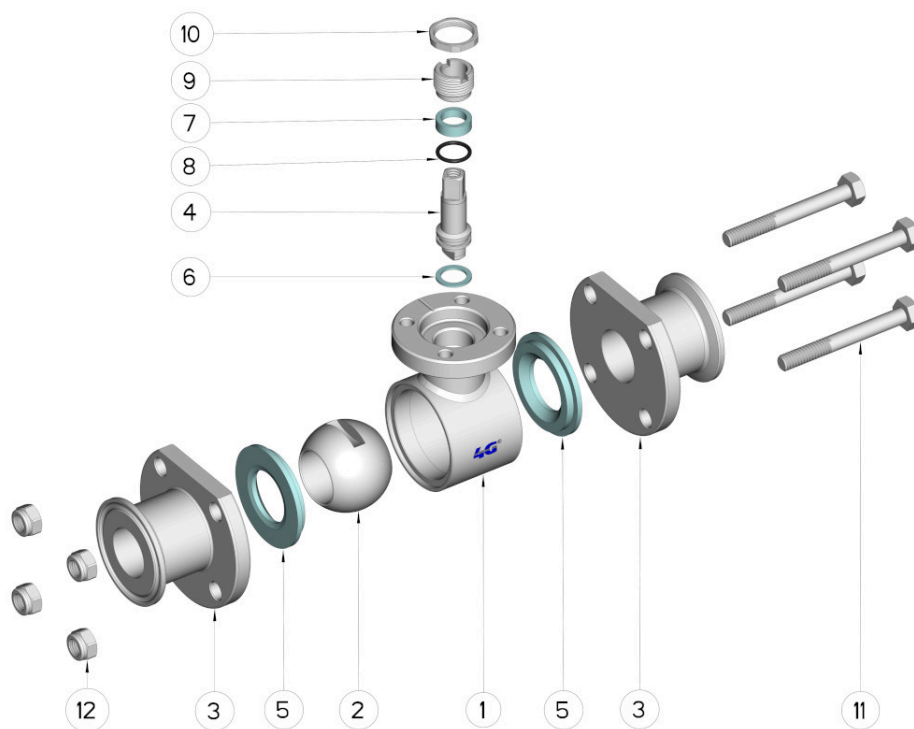
PTFE with inox -20°C+200°C

UHMW High-molecular weight polyethylene -20°C+80°C





CLAMP REHIE B OD	DN	L	H	N	Ø	Ø A	Ø B	STAY BOLTS	Tightening bolts (Nm)	PN	KG	ISO-DIN	Ø a	b	Ø c x o	□	d	e	f	n° 4 BOLTS	Nm	CODE AISI 316L
13.5	10	95	41.5	17	55	25	10.3	6 x 45	4	64	0.59	F.03	45	7	25x3	9	8	36	6	M5x14	7	513030 61110
13.5	10	95	41.5	17	55	25	10.3	6 x 45	4	64	0.63	F.04	55	7	30x3	11	10	42	6	M5x14	7	513030 6111F
17.2	15	95	41.5	17	55	25	14	6 x 45	4	64	0.52	F.03	45	7	25x3	9	8	36	6	M5x14	7	513030 61710
17.2	15	95	41.5	17	55	25	14	6 x 45	4	64	0.57	F.04	55	7	30x3	11	10	42	6	M5x14	7	513030 6171F
21.3	20	106	45	25	60	50.5	18.1	6 x 50	4	40	0.85	F.03	45	7	25x3	9	8	36	6	M5x14	10	513030 62310
21.3	20	106	45	25	60	50.5	18.1	6 x 50	4	40	0.89	F.04	55	7	30x3	11	10	42	6	M5x14	10	513030 6231F
26.9	25	118	51.5	22	75	50.5	23.7	6 x 65	8	40	1.55	F.04	55	9	30x3	11	10	42	6	M5x16	18	513030 62510
26.9	25	118	51.5	22	75	50.5	23.7	6 x 65	8	40	1.62	F.05	65	9	35x3	14	13	50	7	M6x16	18	513030 6251F
33.7	25	118	51.5	22	75	50.5	29.7	6 x 65	8	40	1.46	F.04	55	9	30x3	11	10	42	6	M5x16	18	513030 62710
33.7	25	118	51.5	22	75	50.5	29.7	6 x 65	8	40	1.54	F.05	65	9	35x3	14	13	50	7	M6x16	18	5130306271F
33.7	32	126	56.5	24	85	50.5	29.7	8 x 70	10	25	1.81	F.04	55	9	30x3	11	10	42	6	M5x16	20	513030 63110
33.7	32	126	56.5	24	85	50.5	29.7	8 x 70	10	25	1.88	F.05	65	9	35x3	14	13	50	7	M6x16	20	513030 6311F
42.4	40	145	76	22	100	64	38.4	10 x 90	12	25	3.48	F.05	65	12	35x6	14	13	50	7	M6x20	25	513030 63310
42.4	40	145	76	22	100	64	38.4	10 x 90	12	25	3.70	F.07	90	12	55x6	17	14	70	9	M8x22	25	513030 6331F
48.3	40	145	76	22	100	64	44.3	10 x 90	12	25	3.32	F.05	65	12	35x6	14	13	50	7	M6x20	25	513030 63710
48.3	40	145	76	22	100	64	44.3	10 x 90	12	25	3.53	F.07	90	12	55x6	17	14	70	9	M8x22	25	513030 6371F
60.3	50	165	84	19	120	77.5	56.3	10 x 100	13	25	5.07	F.05	65	12	35x6	14	13	50	7	M6x20	35	513030 64110
60.3	50	165	84	19	120	77.5	56.3	10 x 100	13	25	5.29	F.07	90	12	55x6	17	14	70	9	M8x22	35	513030 6411F
76.1	65	191	94.5	19	140	91	72.1	10 x 120	20	25	7.66	F.07	90	12	55x7	17	15	70	9	M8x22	45	513030 64710
76.1	65	191	94.5	19	140	91	72.1	10 x 120	20	25	8.09	F.10	120	12	70x7	22	19	102	11	M10x25	45	513030 6471F
88.9	80	208	106	20	165	106	84.3	10 x 140	20	16	11.23	F.07	90	12	55x7	17	15	70	9	M8x22	60	513030 65110
88.9	80	208	106	20	165	106	84.3	10 x 140	20	16	11.66	F.10	120	12	70x7	22	19	102	11	M10x25	60	513030 6511F
114.3	100	230	120	23	200	130	109.7	12 x 170	22	16	18.88	F.07	90	12	55x5	17	15	70	9	M8x22	90	513030 65310
114.3	100	230	120	23	200	130	109.7	12 x 170	22	16	19.32	F.10	120	12	70x5	22	18	102	11	M10x25	90	513030 6531F



POS.	DENOMINATION	PCS	MAT.
1	Body	1	AISI 316L
2	Ball	1	AISI 316L
3	Sleeves	2	AISI 316L
4	Stem	1	AISI 316L
5	Ball Seals	2	PTFE
6	Stem Seal	1	PTFE
7	Stem Seal	1	PTFE
8	Stem or-Seal	1	FKM
9	Register ring	1	AISI 304L (303)
10	Locknut	1	AISI 303
11	Stay bolt	4 - 6	AISI 303
12	Self-clamping nut	4 - 6	AISI 303

