

## 513030 FOR DIN TUBE



TWO-way ball valve, Three Pieces  
Drive: ISO 5211 - DIN 3337 flange for actuator  
Connection: **CLAMP normative DIN 32676 TAB.2 REIHE A**  
**For TUBE according to normative DIN 11850**  
Flow: Full and reduced  
Material: Aisi 316L (1.4404)  
Measure: from DN10 to DN100  
Seals: Virgin P.T.F.E.  
Operating temperature: -20°C+160°C  
Outer finish: Polished

On request:

Antistatic device ATEX:

II 2G Ex h IIC T4 Gb

II 2D Ex h IIIC T135°C Db

M.O.C.A. CE 1935/2004

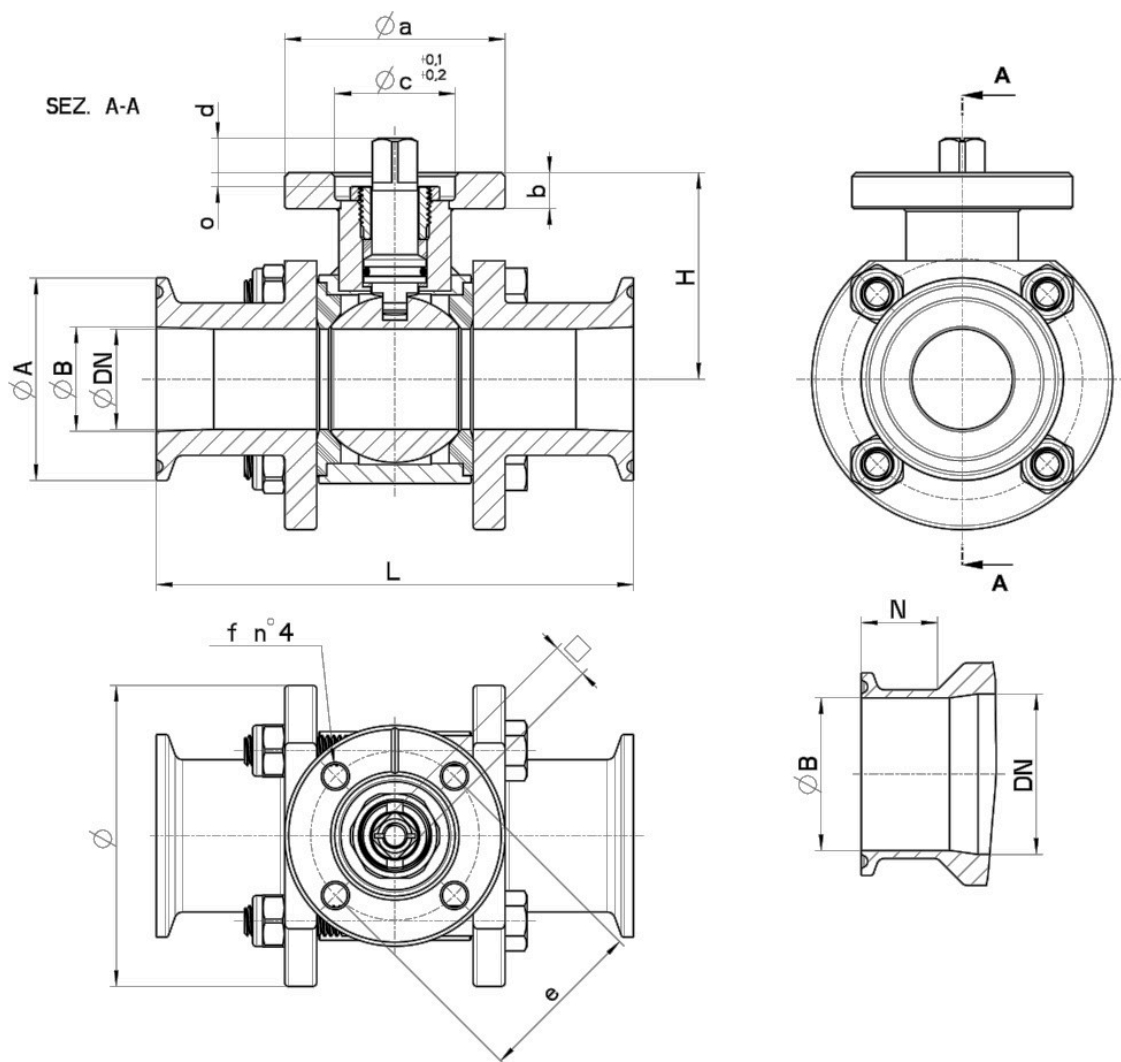
• Seals made of:

PTFE with glass -20°C+170°C

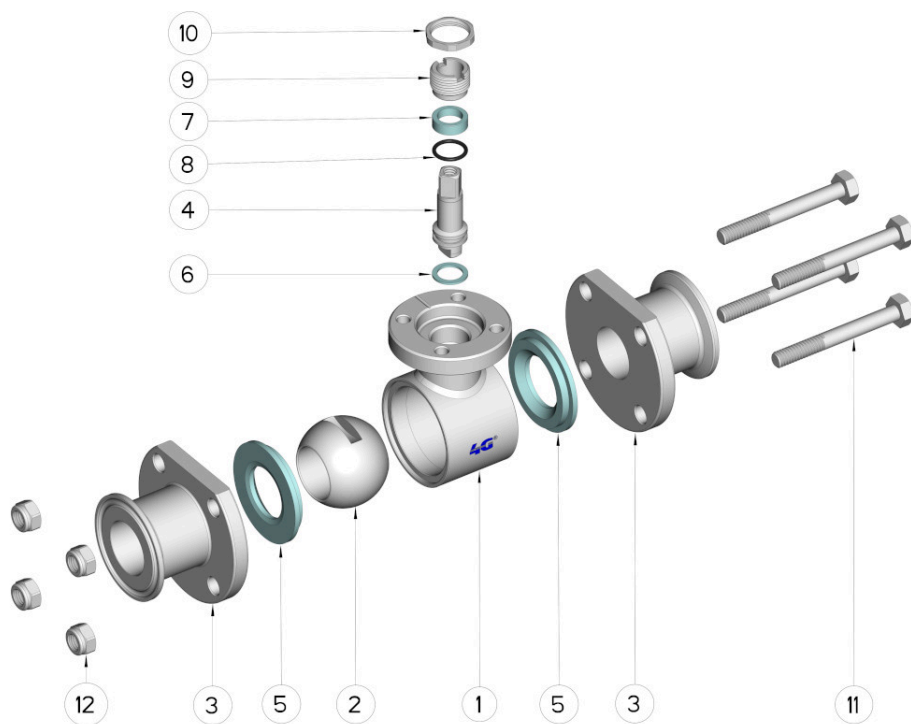
PTFE with carbographite -20°C+180°C

PTFE with inox -20°C+200°C

UHMW High-molecular weight polyethylene -20°C+80°C



CLAMP REIHE A DN	L	H	N	Ø	Ø A	Ø B	STAY BOLTS	SERRAGGIOTRANTI (Nm)	PN	KG	ISO-DIN	Ø a	b	Ø c x o	□	d	e	f	n° 4 BOLTS	Nm	CODE AISI 316L
10	95	41.5	18	55	34	10	6 x 59	4	64	0.66	F.03	45	7	25x3	9	8	36	6	M5x14	7	513030 61410
10	95	41.5	18	55	34	10	6 x 59	4	64	0.70	F.04	55	7	30x3	11	10	42	6	M5x14	7	513030 6141F
15	95	41.5	18	55	34	16	6 x 59	4	64	0.58	F.03	45	7	25x3	9	8	36	6	M5x14	7	513030 61910
15	95	41.5	18	55	34	16	6 x 59	4	64	0.63	F.04	55	7	30x3	11	10	42	6	M5x14	7	513030 6191F
20	106	45	17	60	34	20	6 x 50	4	40	0.69	F.03	45	7	25x3	9	8	36	6	M5x14	10	513030 62010
20	106	45	17	60	34	20	6 x 50	4	40	0.73	F.04	55	7	30x3	11	10	42	6	M5x14	10	513030 6201F
25	118	51.5	22	75	50,5	26	6 x 65	8	40	1.53	F.04	55	9	30x3	11	10	42	6	M5x16	18	513030 62810
25	118	51.5	22	75	50,5	26	6 x 65	8	40	1.60	F.05	65	9	35x3	14	13	50	7	M6x16	18	513030 6281F
32	126	56.5	24	85	50,5	32	8 x 70	10	25	1.76	F.04	55	9	30x3	11	10	42	6	M5x16	20	513030 63010
32	126	56.5	24	85	50,5	32	8 x 70	10	25	1.83	F.05	65	9	35x3	14	13	50	7	M6x16	20	513030 6301F
40	145	76	19	100	50,5	38	10 x 90	12	25	3.09	F.05	65	12	35x6	14	13	50	7	M6x20	25	513030 63510
40	145	76	19	100	50,5	38	10 x 90	12	25	3.31	F.07	90	12	55x6	17	14	70	9	M8x22	25	513030 6351F
50	165	84	19	120	64	50	10 x 100	13	25	4.84	F.05	65	12	35x6	14	13	50	7	M6x20	35	513030 64010
50	165	84	19	120	64	50	10 x 100	13	25	5.05	F.07	90	12	55x6	17	14	70	9	M8x22	35	513030 6401F
65	191	94.5	19	140	91	66	10 x 120	20	25	8.03	F.07	90	12	55x7	17	15	70	9	M8x22	45	513030 64610
65	191	94.5	19	140	91	66	10 x 120	20	25	8.47	F.10	120	12	70x7	22	19	102	11	M10x25	45	513030 6461F
80	208	106	20	165	106	81	10 x 140	20	16	11.48	F.07	90	12	55x7	17	15	70	9	M8x22	60	513030 64910
80	208	106	28	165	106	81	10 x 140	20	16	11.91	F.10	120	12	70x7	22	19	102	11	M10x25	60	513030 6491F
100	230	120	27	200	119	100	12 x 170	22	16	18.39	F.07	90	12	55x5	17	15	70	9	M8x22	90	513030 65610
100	230	120	27	200	119	100	12 x 170	22	16	18.84	F.10	120	12	70x5	22	18	102	11	M10x25	90	513030 6561F



POS.	DENOMINATION	PCS	MAT.
1	Body	1	AISI 316L
2	Ball	1	AISI 316L
3	Sleeves	2	AISI 316L
4	Stem	1	AISI 316L
5	Ball Seals	2	PTFE
6	Stem Seal	1	PTFE
7	Stem Seal	1	PTFE
8	Stem or-Seal	1	FKM
9	Register ring	1	AISI 304L (303)
10	Locknut	1	AISI 303
11	Stay bolt	4 - 6	AISI 303
12	Self-clamping nut	4 - 6	AISI 303

