

163050 INTEGRAL SEALS_UNI EN 1092-1



TWO way ball valve STEM BENT BOTTOM with “INTEGRAL SEAL”

Use: Valve for tank bottom

Antistatic device ATEX:

II 2G Ex h IIC T4 Gb

II 2D Ex h IIIC T135°C Db

Drive: ISO 5211 - DIN 3337 flange for actuator

Connections: Flange-Flange, tank side flange fixed and revolving threaded flange according to UNI EN 1092-1:2003 on outlet side

Flow: Full

Material: Aisi 316L (1.4404)

Measure: from DN40 to DN125

Seals: Virgin P.T.F.E.

Operating temperature: -20°C+160°C

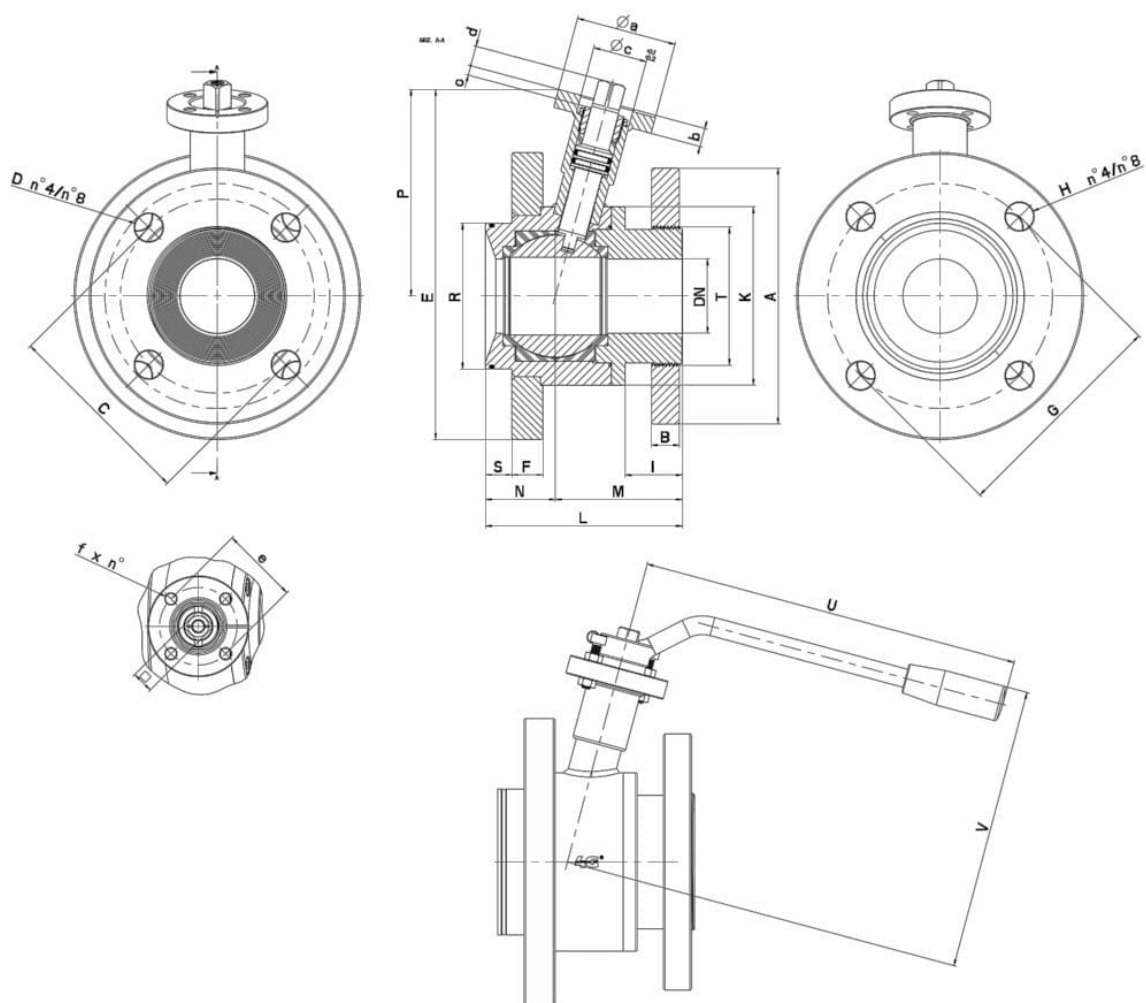
Outer finish: Polished

Screws for mounting actuator included

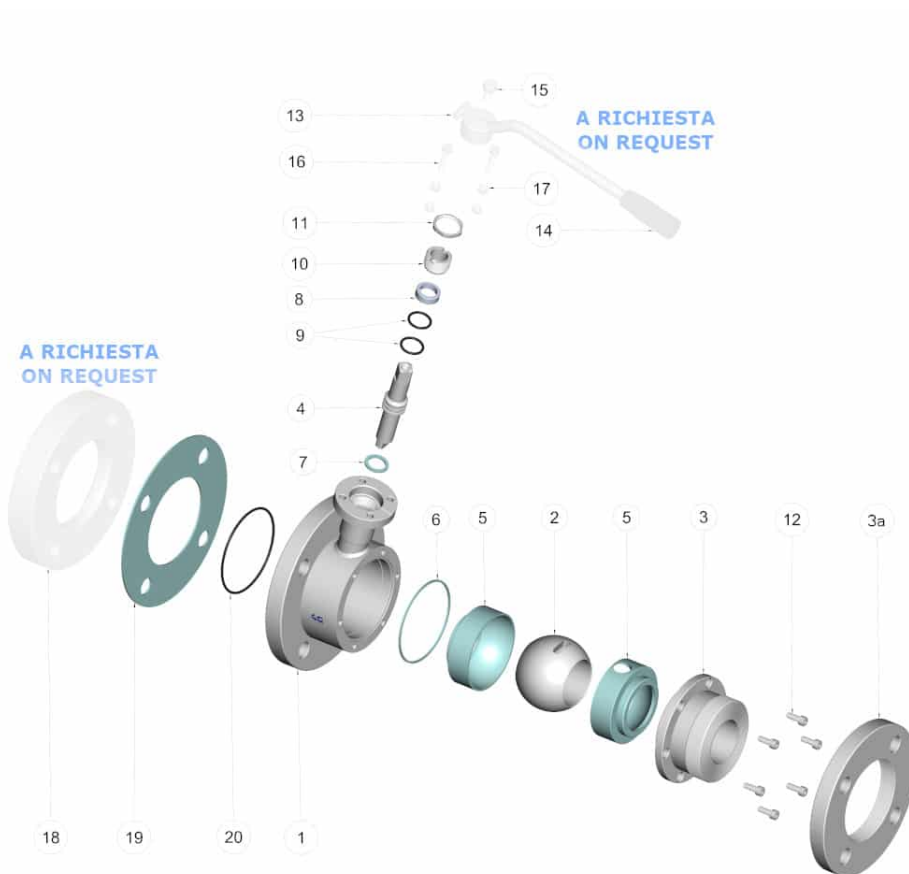
On request:

M.O.C.A. CE 1935/2004

- MANUAL with LEVER Kit
- Counterflanges for Tank



DN	L	PN	N	M	S	F	T	B	Ø D x g ⁴	Ø E (Flange- DN)	Ø R	Ø G	Ø H x g ⁴	K	Ø A	Ø C	Ø T	P	ISO 5211	□	Ø a	b	Ø e	Ø c x o	d	Ø f x n ⁴	U	V	Nm	Kg	CODE AISI 316L
40	122	16	45	77	17	20	36	16	18 x 4	165 (DN50)	84	125	18 x 4	115	148	110	75	126	F05	14	65	12	50	35 x 6	13	7 x 4	245	176	32	8,5	163050A63410
50	127	16	45	82	17	20	37	18	18 x 4	185 (DN65)	94	145	18 x 4	115	165	125	89	132	F05	14	65	12	50	35 x 6	13	7 x 4	245	182	37	11,1	163050A63810
65	149	16	53	96	17,5	20	40	18	18 x 4	200 (DN80)	119	160	18 x 8	140	185	145	110	156	F07	17	90	12	70	55 x 7	15	9 x 4	270	215	60	15,5	163050A64410
80	166	16	65	101	19,5	22	40	18	18 x 8	220 (DN100)	138	180	18 x 8	155	200	160	120	167	F07	17	90	12	70	55 x 7	15	9 x 4	300	227	75	19,95	163050A64810
100	186	16	75	111	27,5	22	47	20	18 x 8	250 (DN125)	165	210	18 x 8	185	220	180	140	181	F07	17	90	12	70	55 x 5	17	9 x 4	325	245	85	28	163050A65410
125	245	10	95	150	26,5	24	60,5	22	18 x 8	285 (DN150)	190	240	22 x 8	230	250	210	153	205	F10	22	120	12	102	70 x 5	19	11 x 4	481	287	130	45,3	163050A65810



POS.	DENOMINATION	PCS	MAT.
1	Body	1	AISI 316L
2	Ball	1	AISI 316L
3	Sleeve	1	AISI 316L
3a	Flange	1	AISI 316L
4	Stem	1	AISI 316L
5	Ball Seals	2	PTFE
6	Sleeve Seals	1	PTFE
7	Stem Seal	1	PTFE
8	Stem Seal	1	PTFE
9	O-Ring di tenuta perno	2	FKM (a richiesta EPDM)
10	Register ring	1	AISI 304L (303)
11	Locknut	1	AISI 303
12	Sleeve screw	6	AISI 304L
13	Lever	1	AISI 304L
14	Handle	1	DUROPLASTO (PF)
15	Lever screw	1	AISI 304L
16	Stop lever screw	4	AISI 304L
17	Stop lever bolts	4	AISI 304L
18	Counterflange	1	AISI 316L
19	Flanges Seal	1	PTFE
20	O-Ring Controflangia	1	FKM (a richiesta EPDM)

