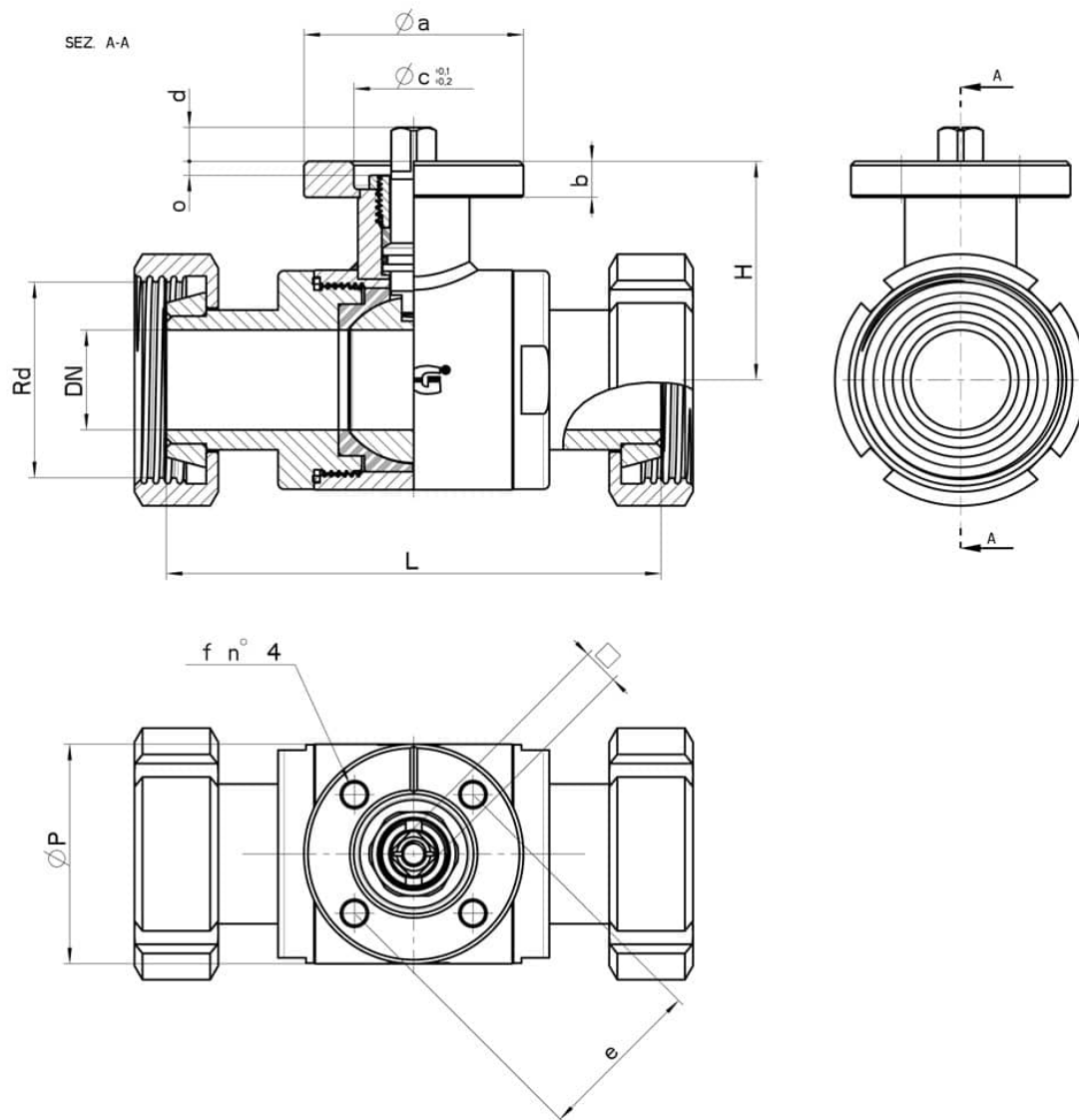


## 133027 INTEGRAL SEALS – M/M DIN 11851



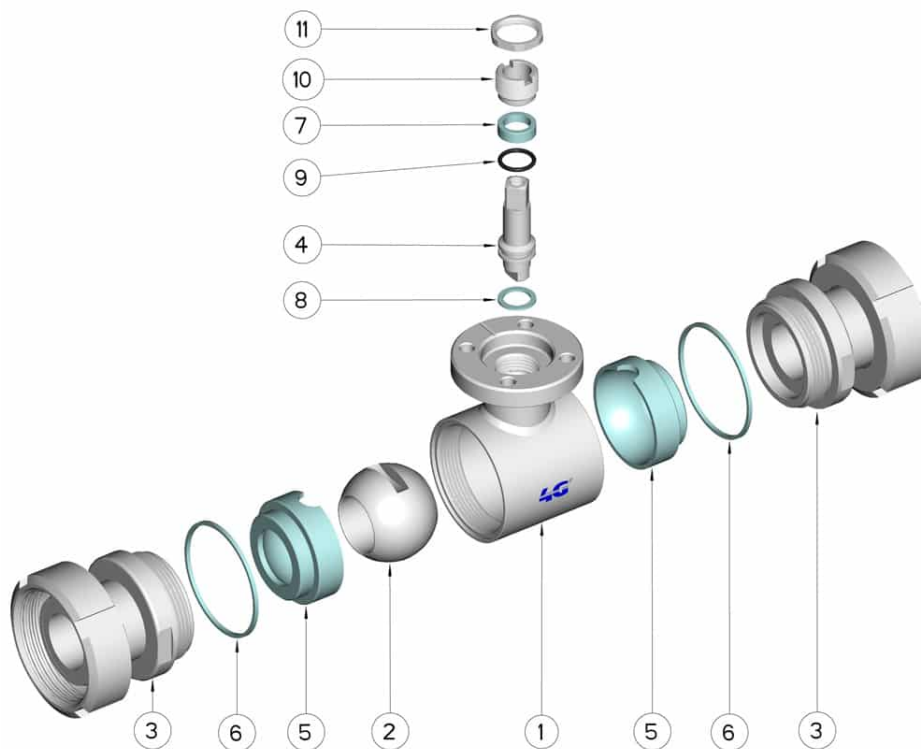
TWO-way ball valve “Integral Seal”  
Drive: ISO 5211 - DIN 3337 flange for actuator  
Connection: DIN 11851 male/male  
Flow: Full  
Material: Aisi 316L (1.4404)  
Measure: from DN10 to DN100  
Seals: Virgin P.T.F.E.  
Operating temperature: -20°C+160°C  
Outer finish: Polished  
Screws for mounting actuator included

On request:  
Antistatic device ATEX:  
II 2G Ex h IIC T4 Gb  
II 2D Ex h IIIC T135°C Db  
M.O.C.A. CE 1935/2004  
• Seals made of:  
PTFE with glass -20°C+170°C



DN	Rd	L	H	Ø P	PN	Kg	ISO-DIN	Ø a	b	Ø c x o	□	d	e	f	n° 4 BOLTS	Nm	CODE AISI 316L
10	28 x 1/8"	100	42	35	100	-	F.03	46	9	25x3	9	8	36	6	M5x16	6	133027 60810
10	28 x 1/8"	100	42	35	100	-	F.04	54	9	30x3	11	10	42	6	M5x16	6	133027 6081F
15	34 x 1/8"	104	45	42	100	-	F.03	46	9	25x3	9	8	36	6	M5x16	9	133027 61410
15	34 x 1/8"	104	45	42	100	-	F.04	54	9	30x3	11	10	42	6	M5x16	9	133027 6141F
20	44 x 1/6"	118	52	48	100	-	F.04	54	9	30x3	11	10	42	6	M5x16	13	133027 62010
20	44 x 1/6"	118	52	48	100	-	F.05	65	9	35x3	14	13	50	7	M6x16	13	133027 6201F
25	52 x 1/6"	124	55	55	64	-	F.04	54	9	30x3	11	10	42	6	M5x16	22	133027 62610
25	52 x 1/6"	124	55	55	64	-	F.05	65	9	35x3	14	13	50	7	M6x16	22	133027 6261F
32	58 x 1/6"	130	59,5	65	64	-	F.04	54	9	30x3	11	10	42	6	M5x16	25	133027 63010
32	58 x 1/6"	130	59,5	65	64	-	F.05	65	9	35x3	14	13	50	7	M6x16	25	133027 6301F
40	65 x 1/6"	144	79,5	80	64	-	F.05	65	12	35x4	14	13	50	7	M6x20	32	133027 63410
40	65 x 1/6"	144	79,5	80	64	-	F.07	90	12	55x4	17	15	70	9	M8x20	32	133027 6341F
50	78 x 1/6"	156	87	95	40	-	F.05	65	12	35x4	14	13	50	7	M6x20	37	133027 63810
50	78 x 1/6"	156	87	95	40	-	F.07	90	12	55x4	17	15	70	9	M8x20	37	133027 6381F
65	95 x 1/6"	172	94,5	113	40	7,740	F.07	90	12	55x4	17	15	70	9	M8x20	60	133027 64410
65	95 x 1/6"	172	94,5	113	40	-	F.10	120	12	70x4	22	18	102	11	M10x25	60	133027 6441F
80	110 x 1/4"	194	106	140	40	-	F.07	90	12	55x4	17	15	70	9	M8x20	75	133027 64810
80	110 x 1/4"	194	106	140	40	-	F.10	120	12	70x4	22	18	102	11	M10x25	75	133027 6481F
100	130 x 1/4"	206	120	167	25	-	F.07	90	12	55x4	17	15	70	9	M8x20	85	133027 65410
100	130 x 1/4"	206	120	167	25	-	F.10	120	12	70x4	22	18	102	11	M10x25	85	133027 6541F





POSITION	DENOMINATION	PIECES	MATERIAL
1	Body	1	AISI (304L) 316L
2	Ball	1	AISI (304L) 316L
3	Sleeves	2	AISI (304L) 316L
4	Stem	1	AISI (304L) 316L
5	Ball Seals	2	PTFE Vergine Modificato
6	Sleeve Seals	2	PTFE
7	Stem Seal	1	PTFE
8	Stem Seal	1	PTFE
9	Stem or-Seal	1	FKM
10	Register ring	1	AISI 304L (303)
11	Locknut	1	AISI 303

