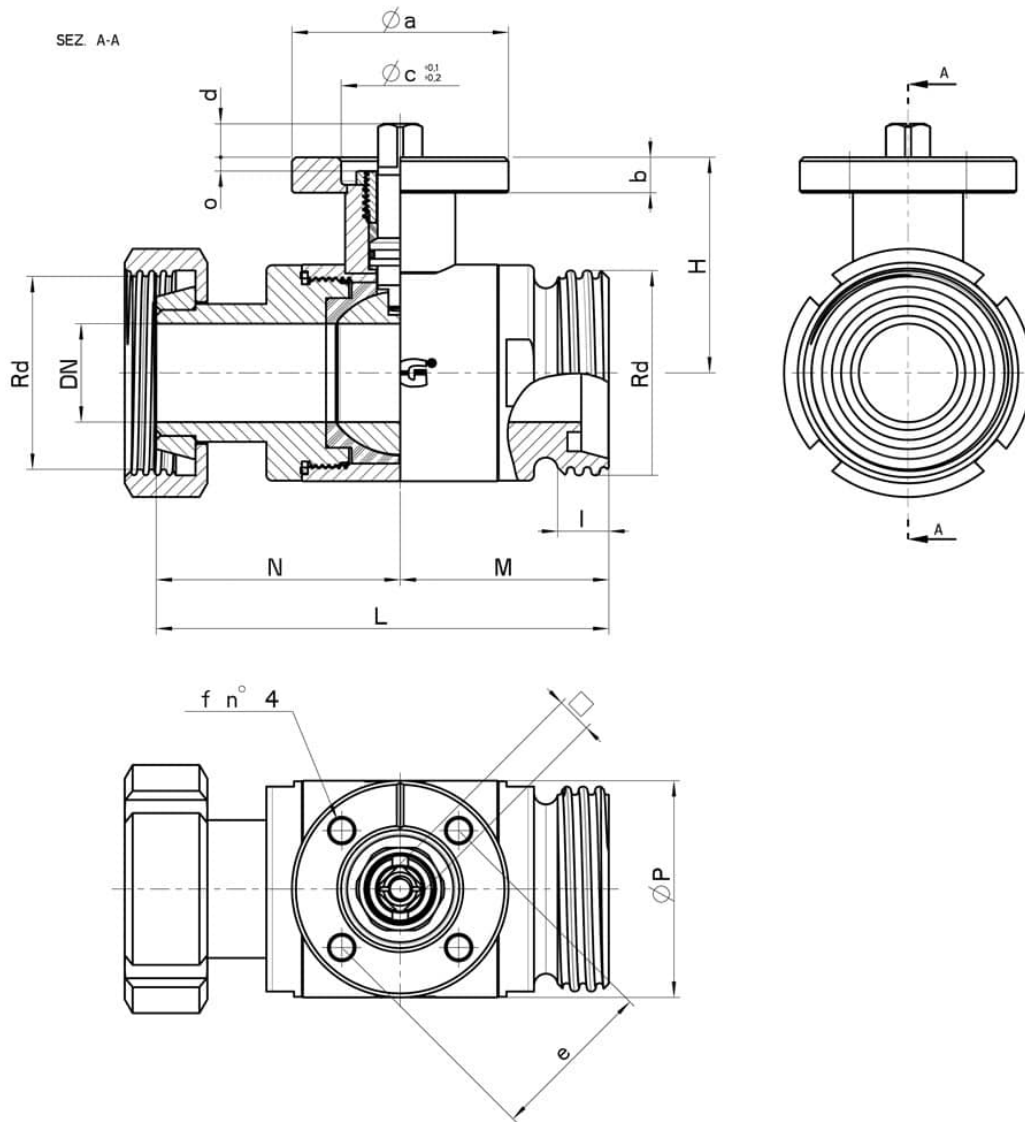


133026 INTEGRAL SEALS – F/M DIN 11851

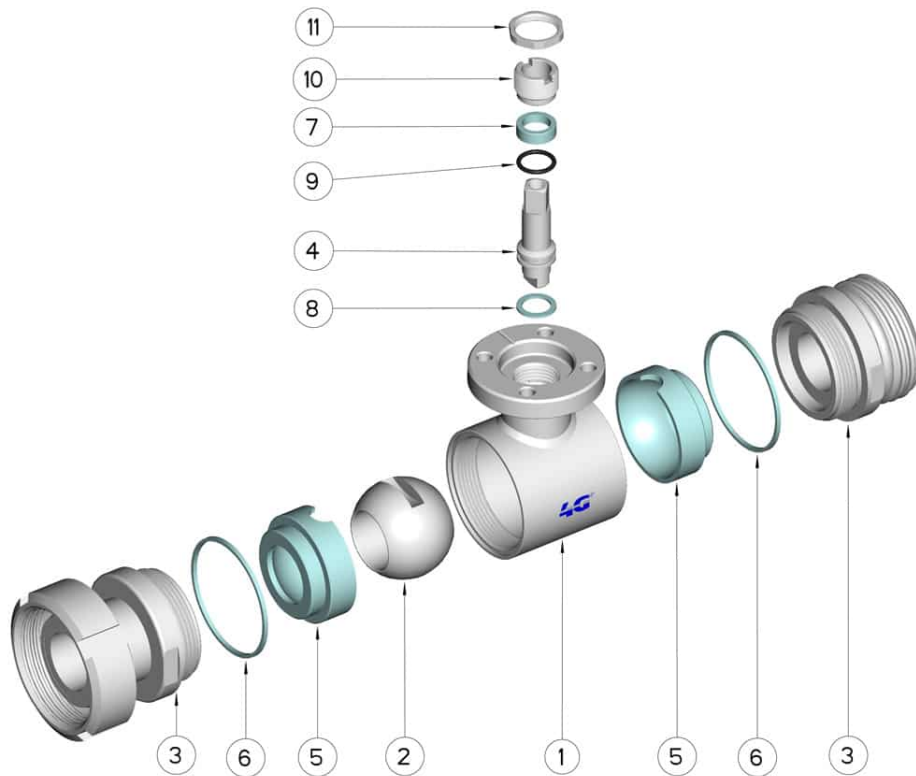


TWO-way ball valve “Integral Seal”
Drive: ISO 5211 - DIN 3337 flange for actuator
Connection: DIN 11851 female/male
Flow: Full
Material: Aisi 316L (1.4404)
Measure: from DN10 to DN100
Seals: Virgin P.T.F.E.
Operating temperature: -20°C+160°C
Outer finish: Polished
Screws for mounting actuator included

On request:
Antistatic device ATEX:
II 2G Ex h IIC T4 Gb
II 2D Ex h IIIC T135°C Db
M.O.C.A. CE 1935/2004
• Seals made of:
PTFE with glass -20°C+170°C



DN	Rd	L	M	N	I	H	PN	Kg	ISO-DIN	Ø a	b	Ø c x o	□	d	e	f	n° 4 BOLTS	Nm	CODE AISI 316L
10	28 x 1/8"	94	44	50	12	42	100	0,58	F.03	46	9	25x3	9	8	36	6	M5x16	6	133026 60810
10	28 x 1/8"	94	44	50	12	42	100	0,62	F.04	54	9	30x3	11	10	42	6	M5x16	6	133026 6081F
15	34 x 1/8"	98	46	52	12	45	100	0,75	F.03	46	9	25x3	9	8	36	6	M5x16	9	133026 61410
15	34 x 1/8"	98	46	52	12	45	100	0,77	F.04	54	9	30x3	11	10	42	6	M5x16	9	133026 6141F
20	44 x 1/6"	110	51	59	14	52	100	1,46	F.04	54	9	30x3	11	10	42	6	M5x16	13	133026 62010
20	44 x 1/6"	110	51	59	14	52	100	1,56	F.05	65	9	35x3	14	13	50	7	M6x16	13	133026 6201F
25	52 x 1/6"	115	53	62	14	55	64	1,50	F.04	54	9	30x3	11	10	42	6	M5x16	22	133026 62610
25	52 x 1/6"	115	53	62	14	55	64	1,60	F.05	65	9	35x3	14	13	50	7	M6x16	22	133026 6261F
32	58 x 1/6"	121	56	65	14	59,5	64	1,75	F.04	54	9	30x3	11	10	42	6	M5x16	25	133026 63010
32	58 x 1/6"	121	56	65	14	59,5	64	1,85	F.05	65	9	35x3	14	13	50	7	M6x16	25	133026 6301F
40	65 x 1/6"	135	63	72	14	79,5	64	2,92	F.05	65	12	35X4	14	13	50	7	M6X20	32	133026 63410
40	65 x 1/6"	135	63	72	14	79,5	64	3,20	F.07	90	12	55x4	17	15	70	9	M8x22	32	133026 6341F
50	78 x 1/6"	146	68	78	14	87	40	4,50	F.05	65	12	35X4	14	13	50	7	M6x20	37	133026 63810
50	78 x 1/6"	146	68	78	14	87	40	4,62	F.07	90	12	55x4	17	15	70	9	M8x22	37	133026 6381F
65	95 x 1/6"	163	77	86	16	94,5	40	7,05	F.07	90	12	55x7	17	15	70	9	M8x22	60	133026 64410
65	95 x 1/6"	163	77	86	16	94,5	40	7,43	F.10	120	12	70x7	22	18	102	11	M10x25	60	133026 6441F
80	110 x 1/4"	189	92	97	20	106	40	11,20	F.07	90	12	55x4	17	15	70	9	M8x22	75	133026 64810
80	110 x 1/4"	189	92	97	20	106	40	11,70	F.10	120	12	70x4	22	18	102	11	M10x25	75	133026 6481F
100	130 x 1/4"	198	95	103	20	120	25	16,37	F.07	90	12	55x4	17	15	70	9	M8x22	85	133026 65410
100	130 x 1/4"	198	95	103	20	120	25	16,87	F.10	120	12	70x4	22	18	102	11	M10x25	85	133026 6541F



POSITION	DENOMINATION	PIECES	MATERIAL
1	Body	1	AISI (304L) 316L
2	Ball	1	AISI (304L) 316L
3	Sleeves	2	AISI (304L) 316L
4	Stem	1	AISI (304L) 316L
5	Ball Seals	2	PTFE Vergine Modificato
6	Sleeve Seals	2	PTFE
7	Stem Seal	1	PTFE
8	Stem Seal	1	PTFE
9	Stem or-Seal	1	FKM
10	Register ring	1	AISI 304L (303)
11	Locknut	1	AISI 303

