

130150 INTEGRAL SEALS_REVOLVING THREADED FLANGES UNI EN 1092-1



TWO-way ball valve "Integral Seal"

Drive: Inox lever

Connection: Revolving threaded flanges UNI EN 1092-1

Flow: Full and reduced

Material: Aisi 316L (1.4404)

Measure: from DN10 to DN125

Seals: Virgin P.T.F.E.

Operating temperature: -20°C+160°C

Outer finish: Polished

On request:

Antistatic device ATEX:

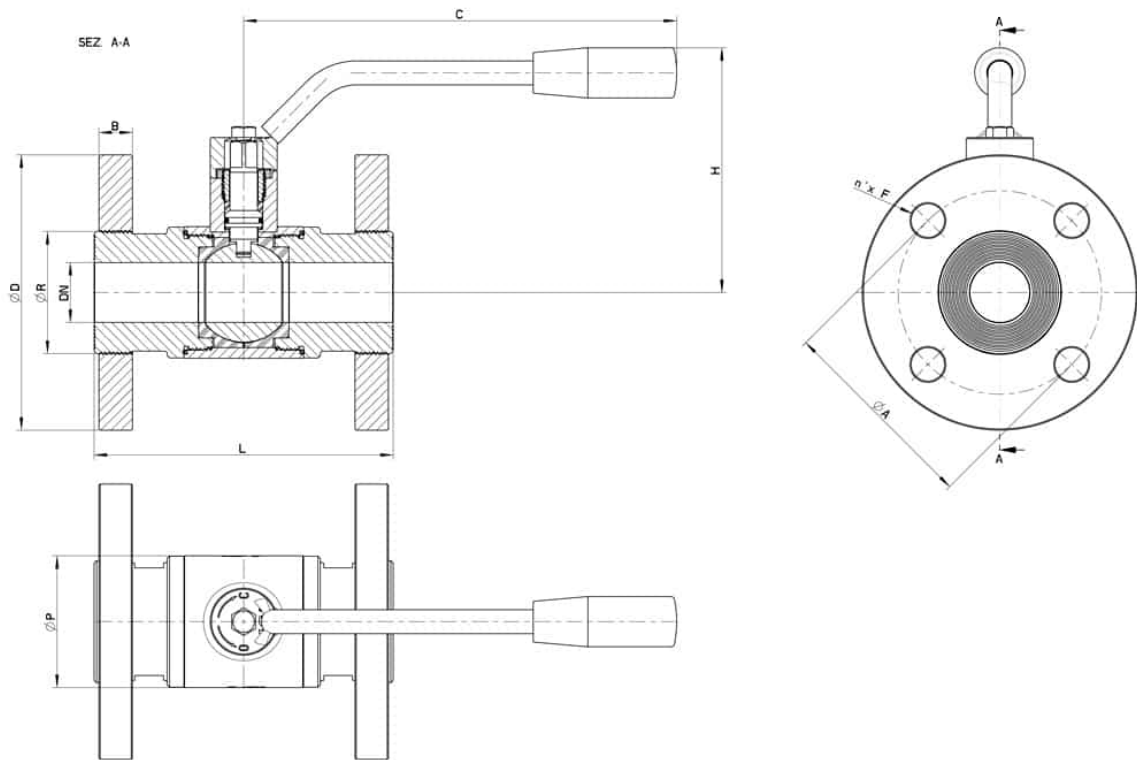
II 2G Ex h IIC T4 Gb

II 2D Ex h IIIC T135°C Db

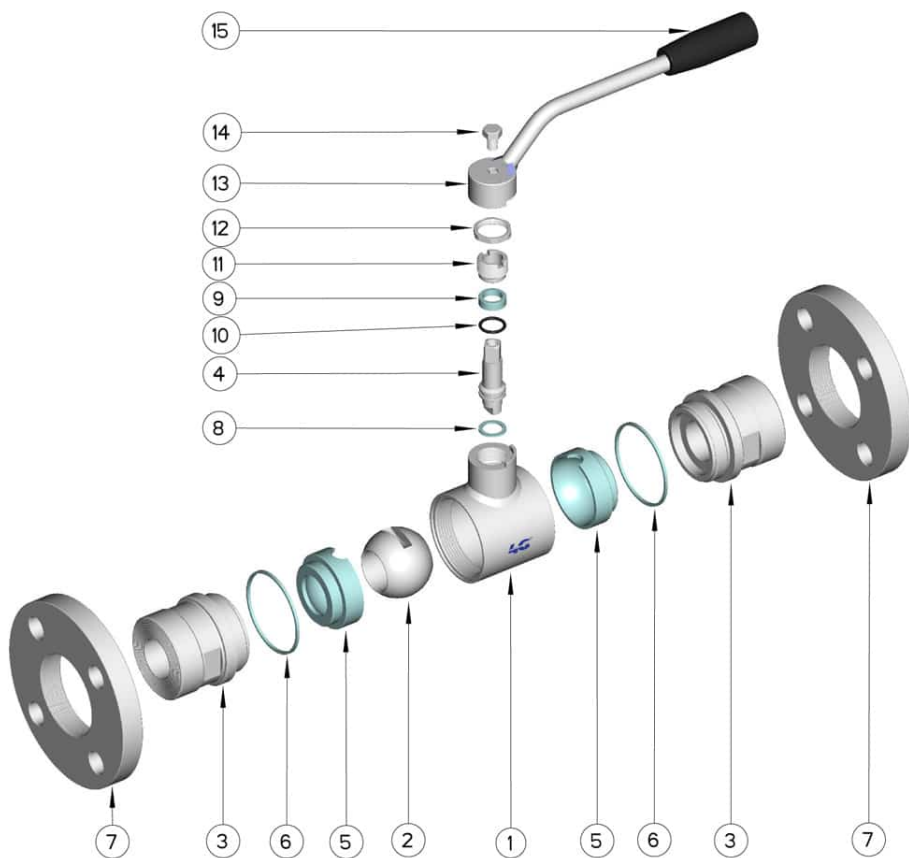
M.O.C.A. CE 1935/2004

• Seals made of:

PTFE with glass -20°C+170°C



DN	L	C	H	Ø P	Ø D	B	Ø R	A	n° x F	PN	Kg	CODE AISI 316L
10	110	125	75	35	90	12	30	60	4x14	40	1,67	130150 60810
15	115	125	78	42	95	12	34	65	4x14	40	1,97	130150 61410
20	120	170	91	48	105	14	42	75	4x14	40	2,81	130150 62010
25	125	170	95	55	115	14	51	85	4x14	40	3,46	130150 62610
32	130	170	100	65	140	16	63	100	4x18	40	5,22	130150 63010
40	140	245	131	80	148	16	75	110	4x18	40	6,99	130150 63410
50	150	245	138	95	165	18	89	125	4x18	40	9,44	130150 63810
65	170	270	159	113	185	18	110	145	4x18	16	13,33	130150 64410
65	170	270	159	113	185	20	110	145	8x18	40	13,53	130152 64410
80	180	300	170	140	200	18	120	160	8x18	16	17,19	130150 64810
80	180	300	170	140	200	22	120	160	8x18	40	18,35	130152 64810
100	190	330	190	167	220	20	140	180	8x18	16	23,28	130150 65410
100	190	330	190	167	235	24	140	190	8x22	25	26,22	130152 65410
125 Reduced 100	200	330	190	167	250	22	153	210	8x18	16	28,13	130150 65510



POSITION	DENOMINATION	PIECES	MATERIAL
1	Body	1	AISI 304L - 316L
2	Ball	1	AISI 304L - 316L
3	Sleeves	2	AISI 304L - 316L
4	Stem	1	AISI 304L - 316L
5	Ball Seals	2	PTFE Vergine Modificato
6	Sleeve Seals	2	PTFE
7	Flanges	2	AISI 304L - 316L
8	Stem Seal	1	PTFE
9	Stem Seal	1	PTFE
10	Stem or-Seal	1	FKM
11	Register ring	1	AISI 304L (303)
12	Locknut	1	AISI 304L
13	Lever	1	AISI 304L
14	SCREW	1	AISI 304L
15	Handle	1	DUROPLAST (PF)

