

## 130142\_INTEGRAL SEALS\_BUTT-WELDING IN ACCORDING TO ISO 1127



TWO-way ball valve "Integral Seal"

Drive: Inox lever

Connection: Butt-welding in according to ISO 1127

Flow: Full

Material: Aisi 316L (1.4404)

Measure: da DN10 a DN100

Seals: Virgin P.T.F.E.

Operating temperature: -20°C+160°C

Outer finish: Polished

On request:

Antistatic device ATEX:

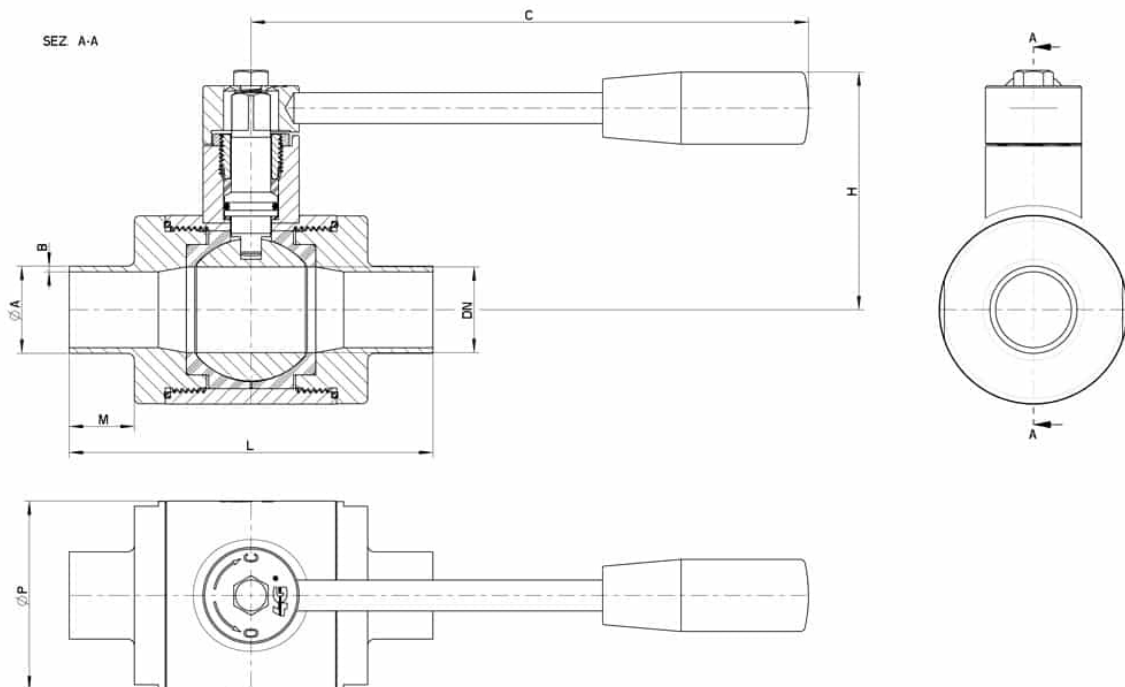
II 2G Ex h IIC T4 Gb

II 2D Ex h IIIC T135°C Db

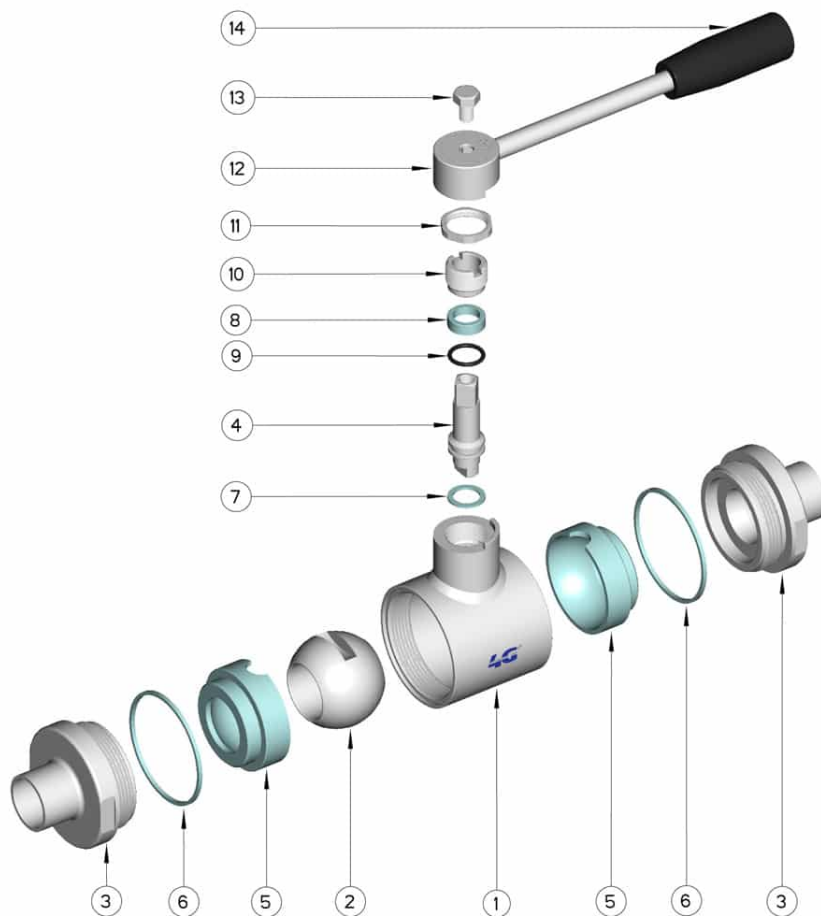
M.O.C.A. CE 1935/2004

• Seals made of:

PTFE with glass -20°C+170°C



DN	L	C	H	Ø P	M	ØA x B	PN	Kg	CODE AISI 316L
10	88	110	56	35	18	17,2 x 1,65	100	0,49	130142 6B310
15	92	110	60	42	18	21,3 x 1,65	100	0,65	130142 6C210
20	102	160	65	48	19	26,9 x 1,65	100	0,95	130142 6E310
25	106	160	70	55	19	33,7 x 2	64	1,17	130142 6H910
32	112	160	75	65	19	42,4 x 2	64	1,56	130142 6L210
40	126	190	100	80	19	48,3 x 2	64	2,82	130142 6M110
50	136	190	107	95	19	60,3 x 2	40	3,81	130142 6Q910
65	154	225	119	113	21	76,1 x 2	40	5,99	130142 6U610
80	184	290	130	140	27	88,9 x 2	40	10,43	130142 6W910
100	190	325	144	167	27	114,3 x 2	25	14,57	130142 6Y410



POS.	DENOMINATION	PCS	MAT.
1	Body	1	AISI 316L
2	Ball	1	AISI 316L
3	Sleeves	2	AISI 316L
4	Stem	1	AISI 316L
5	Ball Seals	2	PTFE Vergine Modificato
6	Sleeve Seals	2	PTFE
7	Stem Seal	1	PTFE
8	Stem Seal	1	PTFE
9	Stem or-Seal	1	FKM
10	Register ring	1	AISI 304L (303)
11	Locknut	1	AISI 304L
12	Lever	1	AISI 304L
13	SCREW	1	AISI 304L
14	Handle	1	DUROPLAST (PF)

