

130101C INTEGRAL SEALS - ISO 228 F - HEATING JACKET



TWO-way ball valve "Integral Seal" with HEATING JACKET

Drive: Inox lever

Connection: ISO 228 female/female thread

Flow: Full

Material: Aisi 316L (1.4404)

Measure: from 1" to 4"

Seals: Virgin P.T.F.E.

Operating temperature: -20°C+160°C

Outer finish: Polished

On request:

Antistatic device ATEX:

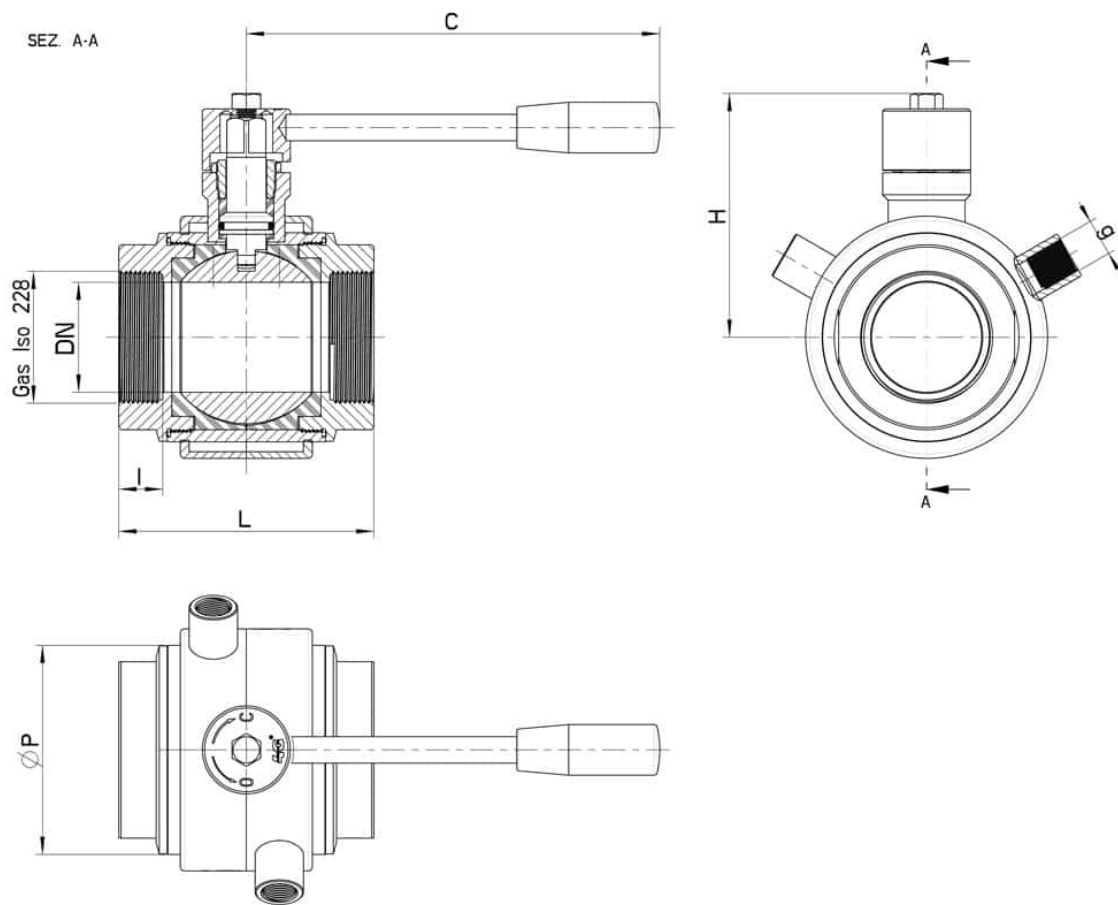
II 2G Ex h IIC T4 Gb

II 2D Ex h IIIC T135°C Db

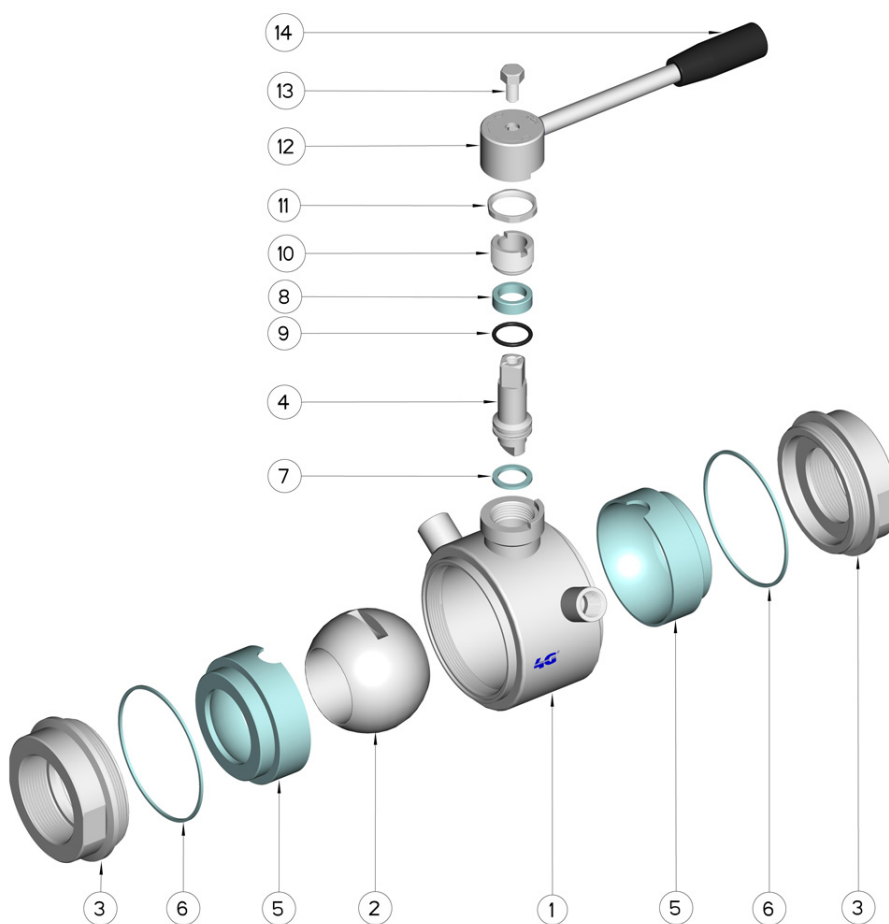
M.O.C.A. CE 1935/2004

• Seals made of:

PTFE with glass -20°C+170°C



G	DN	L	I	C	H	ØP	g	PN	Kg	CODE AISI 316L
1"	25	82	19	160	70	55	1/4"	64	1,40	130101C62610
1"1/4	32	92	19	160	75	65	1/4"	64	1,88	130101C63010
1"1/2	40	104	20	190	100	80	3/8"	64	3,36	130101C63410
2"	50	116	20	190	107	95	3/8"	40	4,51	130101C63810
2"1/2	65	128	20	225	119	113	1/2"	40	6,98	130101C64410
3"	80	150	22	290	130	140	1/2"	40	12,46	130101C64810
4"	100	178	26	325	144	167	1/2"	25	18,78	130101C65410



POS.	DENOMINATION	PCS	MAT.
1	Body	1	AISI 316L
2	Ball	1	AISI 316L
3	Sleeves	2	AISI 316L
4	Stem	1	AISI 316L
5	Ball Seals	2	PTFE
6	Sleeve Seals	2	PTFE
7	Stem Seal	1	PTFE
8	Stem Seal	1	PTFE
9	Stem or-Seal	1	FKM
10	Register ring	1	AISI 304L (303)
11	Nut	1	AISI 304L
12	Washer	1	AISI 304L
13	Lever	1	AISI 304L
14	Handle	1	DUROPLAST (PF)

