

130101 INTEGRAL SEALS - ISO 228 F



TWO-way ball valve "Integral Seal"

Drive: Inox lever

Connection: ISO 228 female/female thread

Flow: Full

Material: Aisi 316L (1.4404)

Measure: from 1/4" to 4"

Seals: Virgin P.T.F.E.

Operating temperature: -20°C+160°C

Outer finish: Polished

On request:

Antistatic device ATEX:

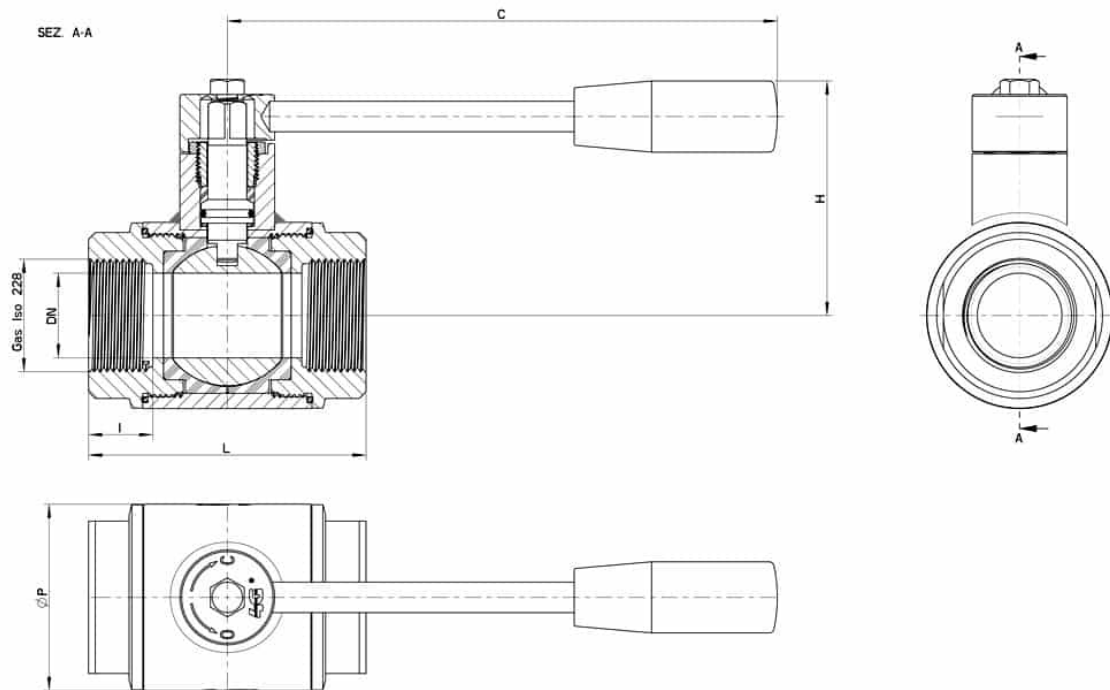
II 2G Ex h IIC T4 Gb

II 2D Ex h IIIC T135°C Db

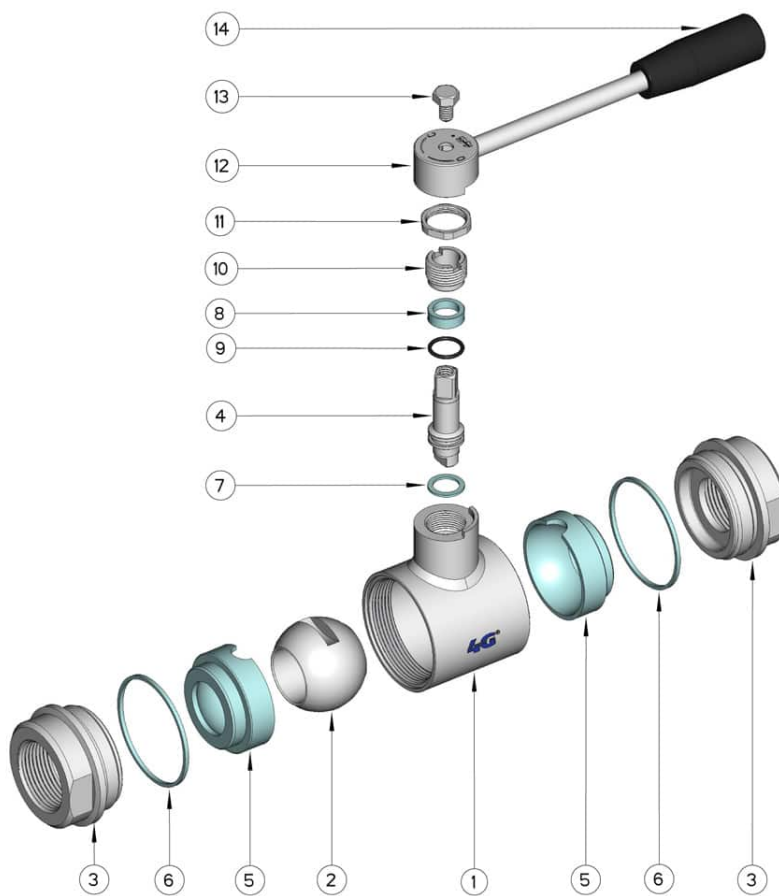
M.O.C.A. CE 1935/2004

• Seals made of:

PTFE with glass -20°C+170°C



G	DN	L	I	C	H	ØP	PN	Kg	CODE AISI 316L
1/4"	10	52	13	110	55	35	100	0,42	130101 60410
3/8"	10	52	13	110	55	35	100	0,40	130101 60810
1/2"	15	62	15	110	59	42	100	0,57	130101 61410
3/4"	20	72	17	160	65	48	100	0,88	130101 62010
1"	25	82	19	160	70	55	64	1,13	130101 62610
1"1/4	32	92	19	160	75	65	64	1,54	130101 63010
1"1/2	40	104	20	190	100	80	64	2,84	130101 63410
2"	50	116	20	190	107	95	40	3,90	130101 63810
2"1/2	65	128	20	225	119	113	40	6,07	130101 64410
3"	80	150	22	290	130	140	40	10,86	130101 64810
4"	100	178	26	325	144	167	25	16,89	130101 65410



POS.	DENOMINATION	PCS	MAT.
1	Body	1	AISI 316L
2	Ball	1	AISI 316L
3	Sleeves	2	AISI 316L
4	Stem	1	AISI 316L
5	Ball Seals	2	PTFE
6	Sleeve Seals	2	PTFE
7	Stem Seal	1	PTFE
8	Stem Seal	1	PTFE
9	Stem or-Seal	1	FKM
10	Register ring	1	AISI 304L (303)
11	Nut	1	AISI 304L
12	Washer	1	AISI 304L
13	Lever	1	AISI 304L
14	Handle	1	DUROPLAST (PF)

