

103050 STANDARD SEALS_REVOLVING THREADED FLANGES UNI EN 1092-1



TWO-way ball valve

Drive: ISO 5211 - DIN 3337 flange for actuator

Connection: Revolving threaded flanges UNI EN 1092-1

Flow: Full and reduced

Material: Aisi 304L (1.4307) - Aisi 316L (1.4404)

Measure: from DN10 to DN125

Seals: Modified Virgin P.T.F.E.

Operating temperature: -20°C+170°C

Outer finish: Polished

Screws for mounting actuator included

On request:

Antistatic device ATEX:

II 2G Ex h IIC T4 Gb

II 2D Ex h IIIC T135°C Db

M.O.C.A. CE 1935/2004

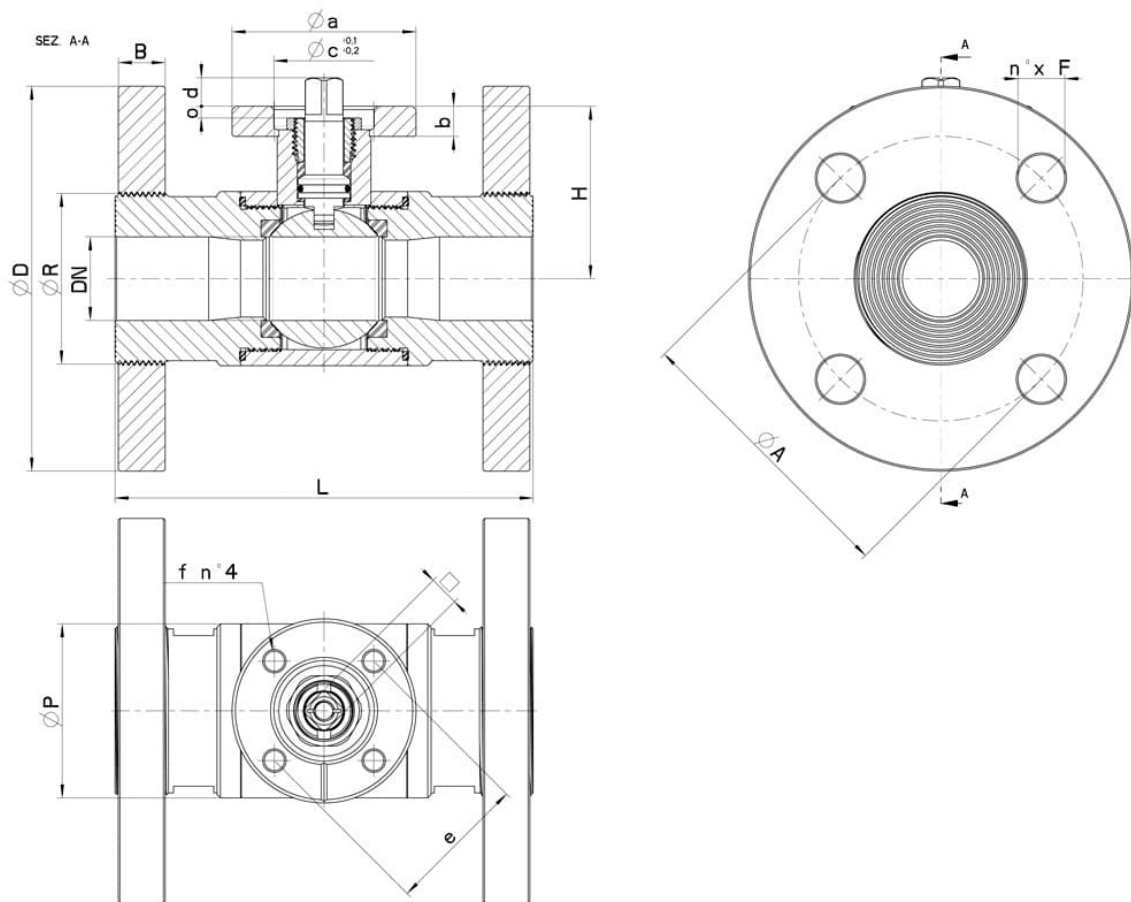
• Seals made of:

PTFE with glass -20°C+170°C

PTFE with carbographite -20°C+180°C

PTFE with inox -20°C+200°C

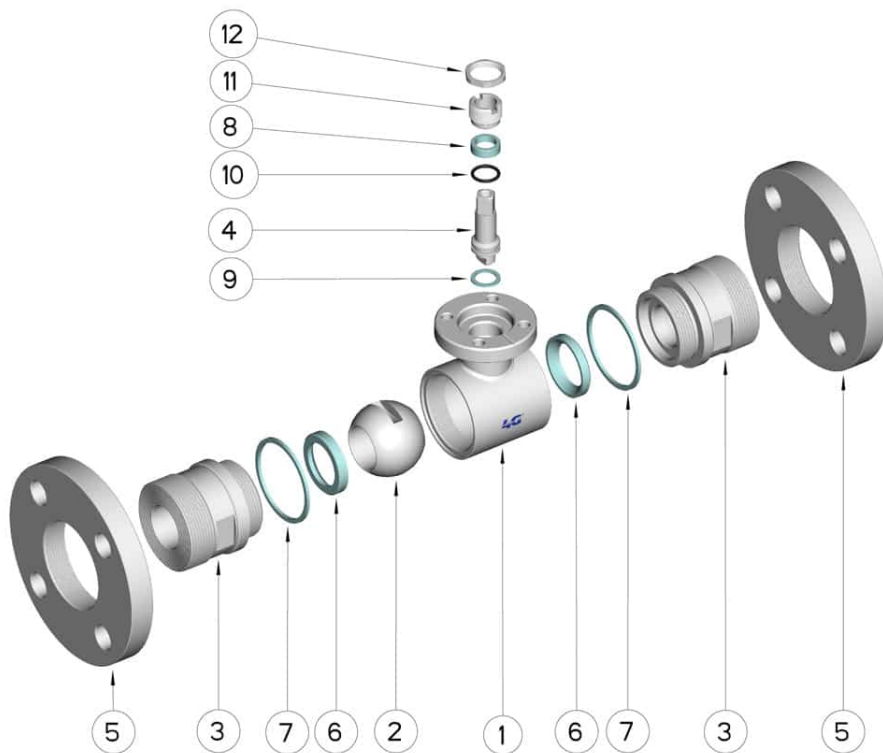
UHMW High-molecular weight polyethylene -20°C+80°C



DN	DN	L	H	Ø P	D	B	R	A	n° x F	PN	Kg	ISO-DIN	Ø a	b	Ø c x o	□	d	e	f	n° 4 BOLTS	Nm	COD. AISI 304L	COD. AISI 316L
10 *	10 *	110	39	30	90	12	30	60	4 x 14	40	1,58	F.03	45	7	25x3	9	8	36	6	M5x16	5	-	103050 60810
10 *	10 *	110	39	30	90	12	30	60	4 x 14	40	1,63	F.04	55	7	30x3	11	10	42	6	M5x16	5	-	103050 6081F
15 *	15 *	115	41.5	35	95	12	34	65	4 x 14	40	1,81	F.03	45	7	25x3	9	8	36	6	M5x16	8	-	103050 61410
15 *	15 *	115	41.5	35	95	12	34	65	4 x 14	40	1,86	F.04	55	7	30x3	11	10	42	6	M5x16	8	-	103050 6141F
20 *	20 *	120	45	42	105	14	42	75	4 x 14	40	2,54	F.03	45	7	25x3	9	8	36	6	M5x16	12	-	103050 62010
20 *	20 *	120	45	42	105	14	42	75	4 x 14	40	2,65	F.04	55	7	30x3	11	10	42	6	M5x16	12	-	103050 6201F
25 *	25 *	125	51.5	52	115	14	51	85	4 x 14	40	3,41	F.04	55	9	30x3	11	10	42	6	M5x16	15	-	103050 62610
25 *	25 *	125	51.5	52	115	14	51	85	4 x 14	40	3,45	F.05	65	9	35x3	14	13	50	7	M6x16	15	-	103050 6261F
32 *	32 *	130	56.5	60	140	16	63	100	4 x 18	40	4,98	F.04	55	9	30x3	11	10	42	6	M5x16	18	-	103050 63010
32 *	32 *	130	56.5	60	140	16	63	100	4 x 18	40	5,15	F.05	65	9	35x3	14	13	50	7	M6x16	18	-	103050 6301F
40	40	140	76	73	148	16	75	110	4 x 18	40	6,42	F.05	65	12	35x6	14	13	50	7	M6x20	25	-	103050 63410
40	40	140	76	73	148	16	75	110	4 x 18	40	6,63	F.07	90	12	55x6	17	14	70	9	M8x22	25	-	103050 6341F
50	50	150	84	89	165	18	89	125	4 x 18	40	9,06	F.05	65	12	35x6	14	13	50	7	M6x20	30	-	103050 63810
50	50	150	84	89	165	18	89	125	4 x 18	40	9,27	F.07	90	12	55x6	17	14	70	9	M8x22	30	-	103050 6381F
65	65	170	94.5	113	185	18	110	145	4 x 18	16	13,07	F.07	90	12	55x7	17	15	70	9	M8x22	45	-	103050 64410
65	65	170	94.5	113	185	18	110	145	4 x 18	16	13,50	F.10	120	12	70x7	22	19	102	11	M10x25	45	-	103050 6441F
65	65	170	94.5	113	185	20	110	145	8 x 18	40	13,27	F.07	90	12	55x7	17	15	70	9	M8x22	45	-	103052 64410
65	65	170	94.5	113	185	20	110	145	8 x 18	40	13,70	F.10	120	12	70x7	22	19	102	11	M10x25	45	-	103052 6441F
80	80	180	106	136	200	18	120	160	8 x 18	16	16,34	F.07	90	12	55x7	17	15	70	9	M8x22	70	-	103050 64810
80	80	180	106	136	200	18	120	160	8 x 18	16	16,78	F.10	120	12	70x7	22	19	102	11	M10x25	70	-	103050 6481F
80	80	180	106	136	200	22	120	160	8 x 18	40	17,50	F.07	90	12	55x7	17	15	70	9	M8x22	70	103052 44810	103052 64810
80	80	180	106	136	200	22	120	160	8 x 18	40	17,93	F.10	120	12	70x7	22	19	102	11	M10x25	70	103052 4481F	103052 6481F
100	100	190	120	167	220	20	140	180	8 x 18	16	22,36	F.07	90	12	55x5	17	15	70	9	M8x22	80	103050 45410	103050 65410
100	100	190	120	167	220	20	140	180	8 x 18	16	22,81	F.10	120	12	70x5	22	18	102	11	M10x25	80	103050 4541F	103050 6541F
100	100	190	120	167	235	24	140	190	8 x 22	25	25,30	F.07	90	12	55x5	17	15	70	9	M8x22	80	103052 45410	103052 65410
100	100	190	120	167	235	24	140	190	8 x 22	25	25,75	F.10	120	12	70x5	22	18	102	11	M10x25	80	103052 4541F	103052 6541F
125 (Reduced)	100	200	120	167	250	22	153	210	8 x 18	16	27,21	F.07	90	12	55x5	17	15	70	9	M8x22	80	103050 45510	103050 65510

DN	DN	L	H	Ø P	D	B	R	A	n° x F	PN	Kg	ISO-DIN	Ø a	b	Ø c x o	□	d	e	f	n° 4 BOLTS	Nm	COD. AISI 304L	COD. AISI 316L
125 (Reduced)	100	200	120	167	250	22	153	210	8 x 18	16	27,65	F.10	120	12	70x5	22	18	102	11	M10x25	80	103050 4551F	103050 6551F

* From DN10 to DN32 inclusive, combine mounting KIT 747500.



POSITION	DENOMINATION	PIECES	MATERIAL
1	Body	1	AISI (304L) 316L
2	Ball	1	AISI (304L) 316L
3	Sleeves	2	AISI (304L) 316L
4	Stem	1	AISI (304L) 316L
5	Flanges	2	AISI (304L) 316L
6	Ball Seals	2	PTFE Vergine Modificato
7	Sleeve Seals	2	PTFE
8	Stem Seal	1	PTFE
9	Stem Seal	1	PTFE
10	Stem or-Seal	1	FKM
11	Register ring	1	AISI 304L (303)
12	Locknut	1	AISI 303

