

103044 STANDARD SEALS - F/F SMS



TWO-way ball valve

Drive: ISO 5211 - DIN 3337 flange for actuator

Connection: SMS female/female

Flow: Full

Material: Aisi 304L (1.4307) - Aisi 316L (1.4404)

Measure: from DN20 to DN100

Seals: Modified Virgin P.T.F.E.

Operating temperature: -20°C+170°C

Outer finish: Polished

Screws for mounting actuator included

On request:

Antistatic device ATEX:

II 2G Ex h IIC T4 Gb

II 2D Ex h IIIC T135°C Db

M.O.C.A. CE 1935/2004

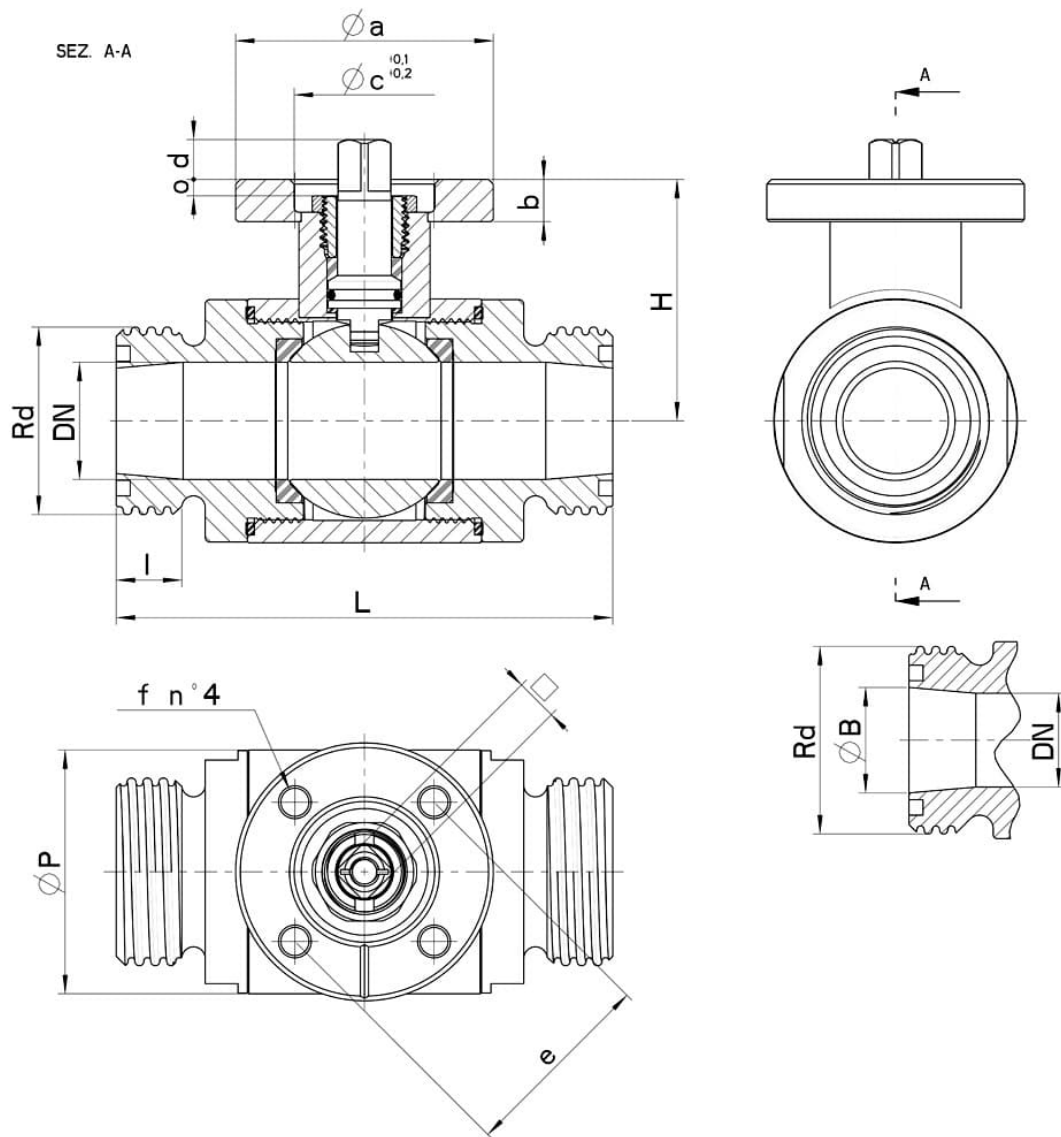
• Seals made of:

PTFE with glass -20°C+170°C

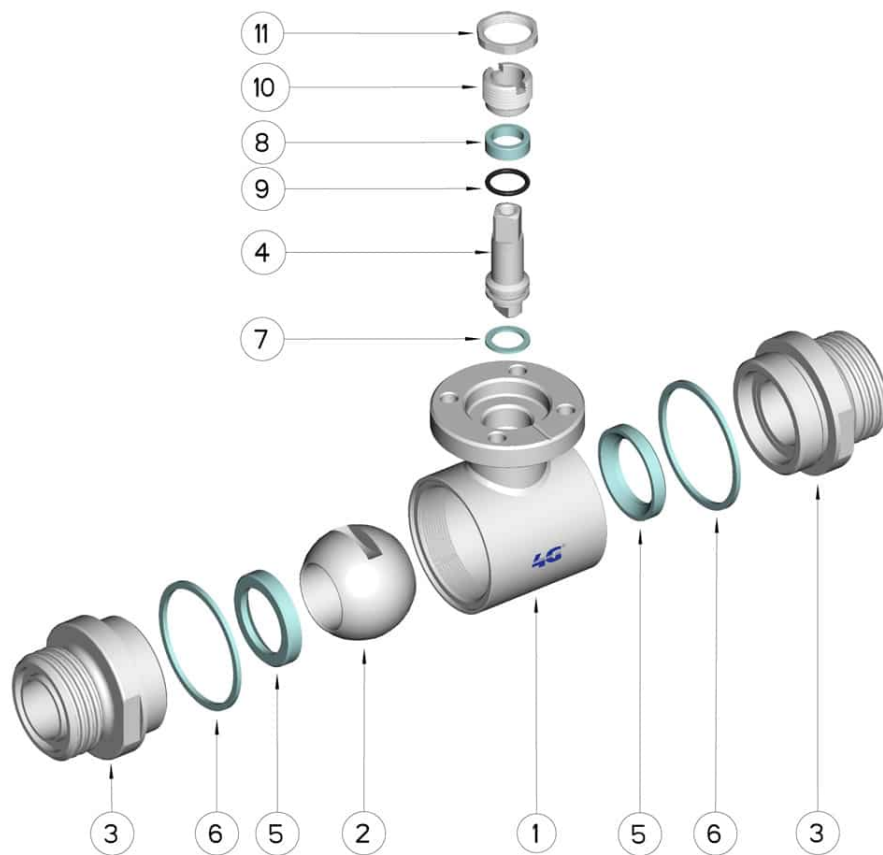
PTFE with carbographite -20°C+180°C

PTFE with inox -20°C+200°C

UHMW High-molecular weight polyethylene -20°C+80°C



DN	Ø B	SMS	Rd	L	I	H	Ø P	PN	Kg	ISO-DIN	Ø a	b	Ø c x o	□	d	e	f	n° 4 BOLTS	Nm	CODE AISI 304L	CODE AISI 316L
20	22,5	(Reduced) 25	40 x 1/6"	102	13	45	42	100	0,82	F.03	45	7	25x3	9	8	36	6	M5x16	12	-	103044 62410
20	22,5	(Reduced) 25	40 x 1/6"	102	13	45	42	100	0,86	F.04	55	7	30x3	11	10	42	6	M5x16	12	-	103044 6241F
25	22,5	25	40 x 1/6"	106	14	51,5	52	64	1,18	F.04	55	9	30x3	11	10	42	6	M5x16	15	-	103044 62610
25	22,5	25	40 x 1/6"	106	14	51,5	52	64	1,25	F.05	65	9	35x3	14	13	50	7	M6x16	15	-	103044 6261F
40	35,5	38	60 x 1/6"	126	19	76	73	64	2,77	F.05	65	12	35x6	14	13	50	7	M6x20	25	-	103044 63410
40	35,5	38	60 x 1/6"	126	19	76	73	64	2,98	F.07	90	12	55x6	17	14	70	9	M8x22	25	-	103044 6341F
50	48,5	51	70 x 1/6"	136	20	84	89	40	3,79	F.05	65	12	35x6	14	13	50	7	M6x20	30	-	103044 63810
50	48,5	51	70 x 1/6"	136	20	84	89	40	4,00	F.07	90	12	55x6	17	14	70	9	M8x22	30	-	103044 6381F
65	60,5	63	85 x 1/6"	154	22	94,5	113	40	6,46	F.07	90	12	55x7	17	15	70	9	M8x22	45	-	103044 64410
65	60,5	63	85 x 1/6"	154	22	94,5	113	40	6,89	F.10	120	12	70x7	22	19	102	11	M10x25	45	-	103044 6441F
65	72	(Reduced) 76	98 x 1/6"	154	22	94,5	113	40	6,54	F.07	90	12	55x7	17	15	70	9	M8x22	45	-	103044 64510
65	72	(Reduced) 76	98 x 1/6"	154	22	94,5	113	40	6,97	F.10	120	12	70x7	22	19	102	11	M10x25	45	-	103044 6451F
80	72,2	76	98 x 1/6"	184	27	106	136	40	10,34	F.07	90	12	55x7	17	15	70	9	M8x22	70	103044 44810	103044 64810
80	72,2	76	98 x 1/6"	184	27	106	136	40	10,77	F.10	120	12	70x7	22	19	102	11	M10x25	70	103044 4481F	103044 6481F
100	98	104	125 x 1/4"	190	28	120	167	25	14,86	F.07	90	12	55x4	17	15	70	9	M8x22	80	103044 45410	103044 65410
100	98	104	125 x 1/4"	190	28	120	167	25	15,30	F.10	120	12	70x5	22	18	102	11	M10x25	80	103044 4541F	103044 6541F
100	98	101	132 x 1/6"	190	28	120	167	25	15,47	F.07	90	12	55x5	17	15	70	9	M8x22	80	103044 45510	103044 65510
100	98	101	132 x 1/6"	190	28	120	167	25	15,91	F.10	120	12	70x5	22	18	102	11	M10x25	80	103044 4551F	103044 6551F



POSITION	DENOMINATION	PIECES	MATERIAL
1	Body	1	AISI (304L) 316L
2	Ball	1	AISI (304L) 316L
3	Sleeves	2	AISI (304L) 316L
4	Stem	1	AISI (304L) 316L
5	Ball Seals	2	PTFE
6	Sleeve Seals	2	PTFE
7	Stem Seal	1	PTFE
8	Stem Seal	1	PTFE
9	Stem or-Seal	1	FKM
10	Register ring	1	AISI 303
11	Locknut	1	AISI 303

