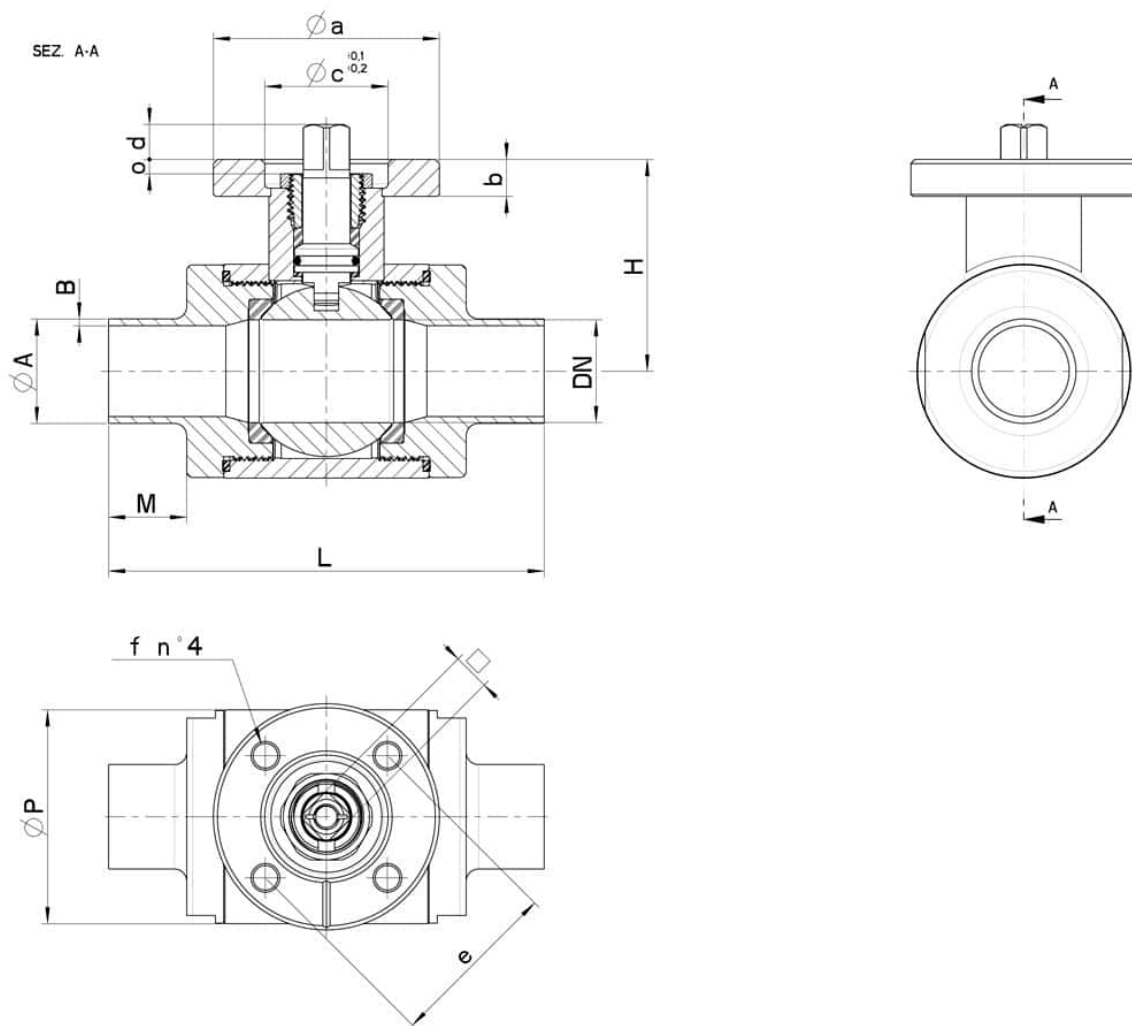


103042_STANDARD SEALS_BUTT-WELDING IN ACCORDING TO DIN 11850

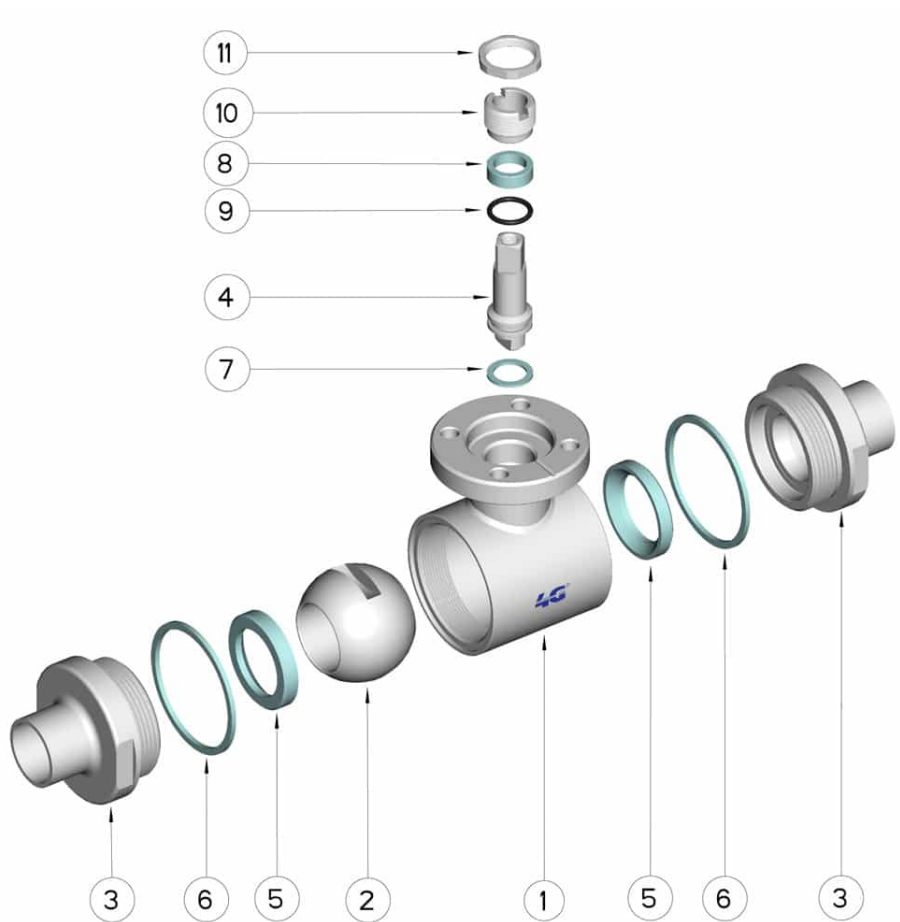


TWO-way ball valve
Drive: ISO 5211 - DIN 3337 flange for actuator
Connection: Butt-welding in according to DIN 11850
Flow: Full
Material: Aisi 316L (1.4404)
Measure: from DN10 to DN100
Seals: Modified Virgin P.T.F.E.
Operating temperature: -20°C+170°C
Outer finish: Polished
Screws for mounting actuator included

On request:
Antistatic device ATEX:
II 2G Ex h IIC T4 Gb
II 2D Ex h IIIC T135°C Db
M.O.C.A. CE 1935/2004
• Seals made of:
PTFE with glass -20°C+170°C
PTFE with carbographite -20°C+180°C
PTFE with inox -20°C+200°C
UHMW High-molecular weight polyethylene -20°C+80°C



DN	L	Ø A x B	M	H	Ø P	PN	KG	ISO-DIN	Ø a	b	Ø c x o	□	d	e	f	n° 4 BOLTS	Nm	COD. AISI 316L
10	88	13 x 1,5	16	39	30	100	0,39	F.03	45	7	25x3	9	8	36	6	M5x16	5	103042 6B110
10	88	13 x 1,5	16	39	30	100	0,44	F.04	55	7	30x3	11	10	42	6	M5x16	5	103042 6B11F
15	92	19 x 1,5	16	41,5	35	100	0,50	F.03	45	7	25x3	9	8	36	6	M5x16	8	103042 6B810
15	92	19 x 1,5	16	41,5	35	100	0,53	F.04	55	7	30x3	11	10	42	6	M5x16	8	103042 6B81F
20	102	23 x 1,5	18	45	42	100	0,70	F.03	45	7	25x3	9	8	36	6	M5x16	12	103042 6C510
20	102	23 x 1,5	18	45	42	100	0,76	F.04	55	7	30x3	11	10	42	6	M5x16	12	103042 6C51F
25	106	29 x 1,5	19	51,5	52	64	1,11	F.04	55	9	30x3	11	10	42	6	M5x16	15	103042 6F510
25	106	29 x 1,5	19	51,5	52	64	1,11	F.05	65	9	35x3	14	13	50	7	M6x16	15	103042 6F51F
32	112	35 x 1,5	19	56,5	60	64	1,38	F.04	55	9	30x3	11	10	42	6	M5x16	18	103042 6J510
32	112	35 x 1,5	19	56,5	60	64	1,36	F.05	65	9	35x3	14	13	50	7	M6x16	18	103042 6J51F
40	126	41 x 1,5	19	76	73	64	2,31	F.05	65	12	35x6	14	13	50	7	M6x20	25	103042 6K910
40	126	41 x 1,5	19	76	73	64	2,57	F.07	90	12	55x6	17	14	70	9	M8x22	25	103042 6K91F
50	136	53 x 1,5	19	84	89	40	3,50	F.05	65	12	35x6	14	13	50	7	M6x20	30	103042 6N910
50	136	53 x 1,5	19	84	89	40	3,64	F.07	90	12	55x6	17	14	70	9	M8x22	30	103042 6N91F
65	154	70 x 2	21	94,5	113	40	5,88	F.07	90	12	55x7	17	15	70	9	M8x22	45	103042 6S610
65	154	70 x 2	21	94,5	113	40	6,24	F.10	120	12	70x7	22	19	102	11	M10x25	45	103042 6S61F
80	184	85 x 2	27	106	136	40	9,29	F.07	90	12	55x7	17	15	70	9	M8x22	70	103042 6W410
80	184	85 x 2	27	106	136	40	9,72	F.10	120	12	70x7	22	19	102	11	M10x25	70	103042 6W41F
100	190	104 x 2	27	120	167	25	13,40	F.07	90	12	55x5	17	15	70	9	M8x22	80	103042 6X810
100	190	104 x 2	27	120	167	25	14,08	F.10	120	12	70x5	22	18	102	11	M10x25	80	103042 6X81F



POSITION	DENOMINATION	PIECES	MATERIAL
1	Body	1	AISI 316L
2	Ball	1	AISI 316L
3	Sleeves	2	AISI 316L
4	Stem	1	AISI 316L
5	Ball Seals	2	PTFE
6	Sleeve Seals	2	PTFE
7	Stem Seal	1	PTFE
8	Stem Seal	1	PTFE
9	Stem or-Seal	1	FKM
10	Register ring	1	AISI 303
11	Locknut	1	AISI 303

