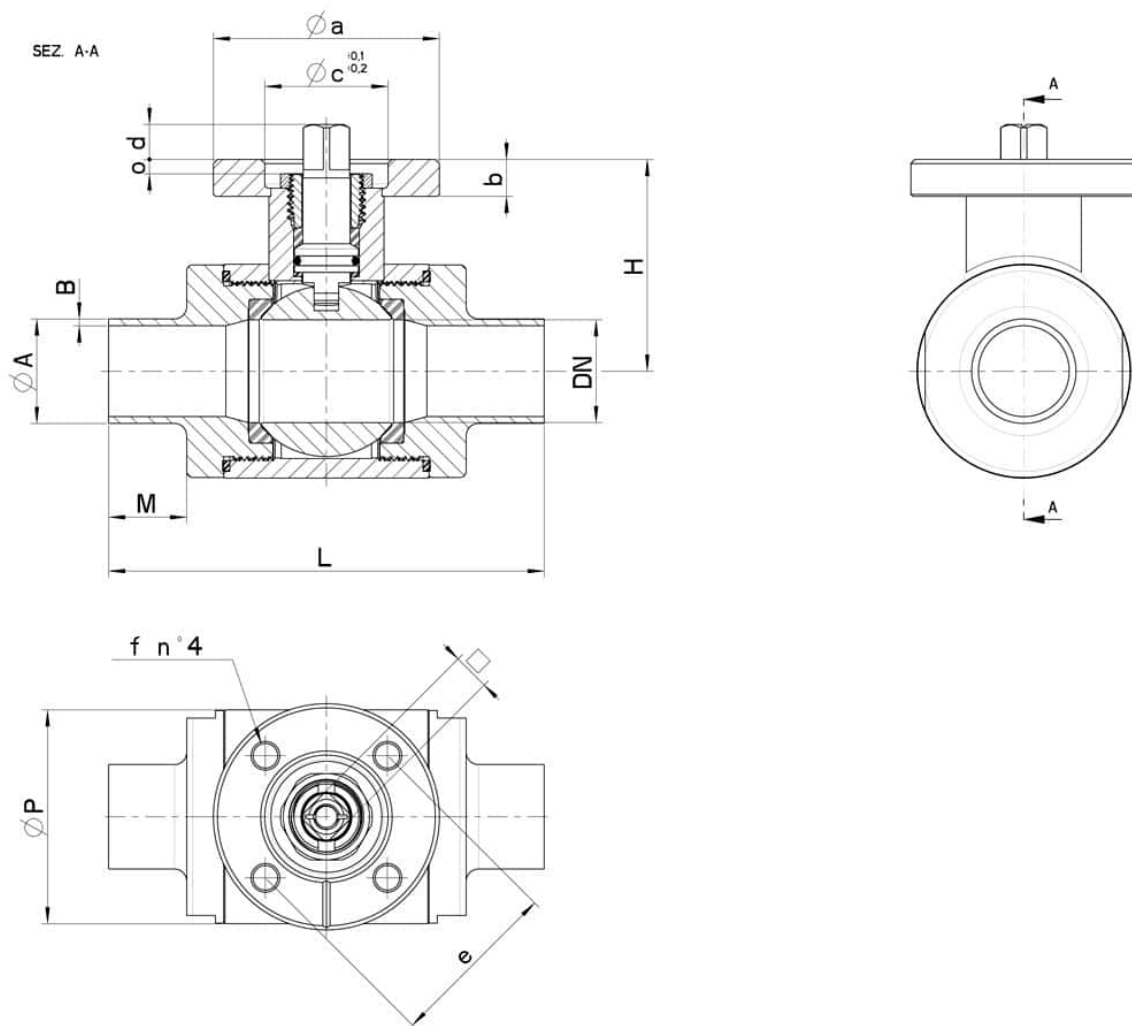


103042_STANDARD SEALS_BUTT-WELDING IN ACCORDING TO BS-OD (ASTM A-270)

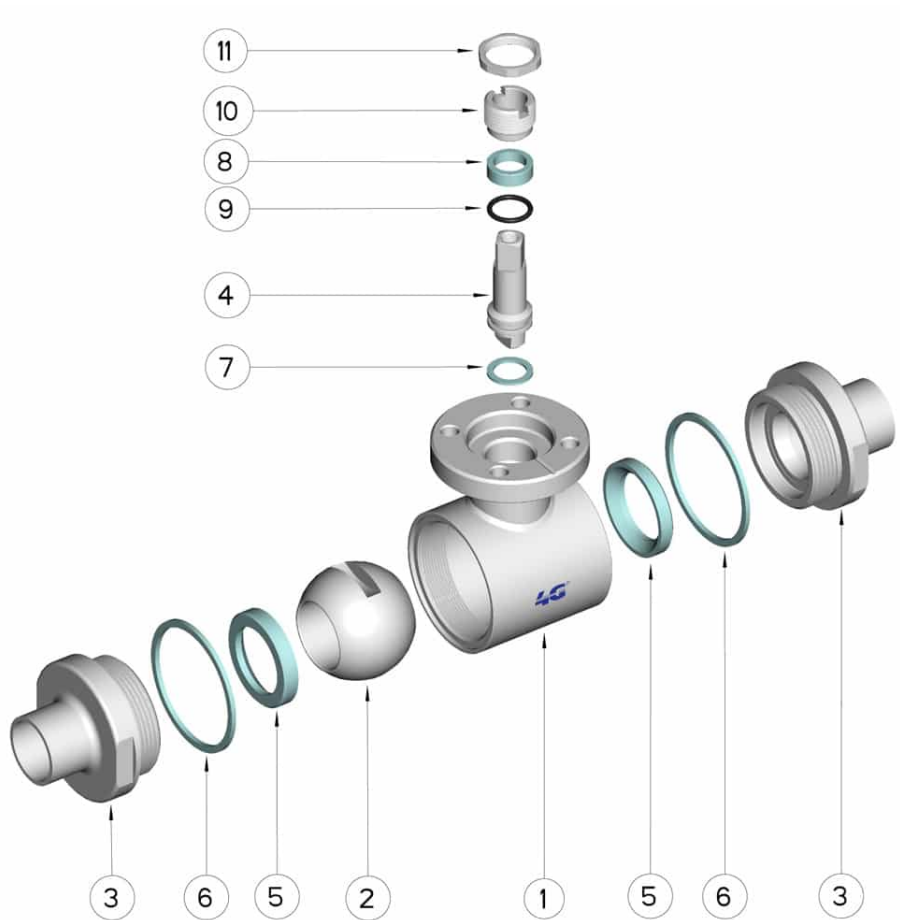


TWO-way ball valve
Drive: ISO 5211 - DIN 3337 flange for actuator
Connection: Butt-welding in according to BS-OD (ASTM A-270)
Flow: Full
Material: Aisi 316L (1.4404)
Measure: from DN10 to DN100
Seals: Modified Virgin P.T.F.E.
Operating temperature: -20°C+170°C
Outer finish: Polished
Screws for mounting actuator included

On request:
Antistatic device ATEX:
II 2G Ex h IIC T4 Gb
II 2D Ex h IIIC T135°C Db
M.O.C.A. CE 1935/2004
• Seals made of:
PTFE with glass -20°C+170°C
PTFE with carbographite -20°C+180°C
PTFE with inox -20°C+200°C
UHMW High-molecular weight polyethylene -20°C+80°C



DN	L	Ø A x B	M	H	Ø P	PN	Kg	ISO-DIN	Ø a	b	Ø c x o	□	d	e	f	n° 4 BOLTS	Nm	COD. AISI 316L
10	88	12.7 x 1.65	16	39	30	100	0,40	F.03	45	7	25x3	9	8	36	6	M5x16	5	103042 6A710
10	88	12.7 x 1.65	16	39	30	100	0,44	F.04	55	7	30x3	11	10	42	6	M5x16	5	103042 6A71F
15	92	19.05 x 1.65	16	41,5	35	100	0,49	F.03	45	7	25x3	9	8	36	6	M5x16	8	103042 6B910
15	92	19.05 x 1.65	16	41,5	35	100	0,53	F.04	55	7	30x3	11	10	42	6	M5x16	8	103042 6B91F
20	102	25.4 x 1.65	18	45	42	100	0,66	F.03	45	7	25x3	9	8	36	6	M5x16	12	103042 6D710
20	102	25.4 x 1.65	18	45	42	100	0,70	F.04	55	7	30x3	11	10	42	6	M5x16	12	103042 6D71F
25	106	25.4 x 1.65	19	51,5	52	64	1,060	F.04	55	9	30x3	11	10	42	6	M5x16	15	103042 6D810
25	106	25.4 x 1.65	19	51,5	52	64	1,113	F.05	65	9	35x3	14	13	50	7	M6x16	15	103042 6D81F
32	112	38.1 x 1.65	19	56,5	60	64	-	F.04	55	9	30x3	11	10	42	6	M5x16	18	103042 6J910
32	112	38.1 x 1.65	19	56,5	60	64	1,360	F.05	65	9	35x3	14	13	50	7	M6x16	18	103042 6J91F
40	126	38.1 x 1.65	19	76	73	64	2,30	F.05	65	12	35x6	14	13	50	7	M6x20	25	103042 6K110
40	126	38.1 x 1.65	19	76	73	64	-	F.07	90	12	55x6	17	14	70	9	M8x22	25	103042 6K11F
50	136	50.8 x 1.65	19	84	89	40	3,36	F.05	65	12	35x6	14	13	50	7	M6x20	30	103042 6M810
50	136	50.8 x 1.65	19	84	89	40	3,68	F.07	90	12	55x6	17	14	70	9	M8x22	30	103042 6M81F
65	154	63.5 x 1.65	21	94,5	113	40	5,80	F.07	90	12	55x7	17	15	70	9	M8x22	45	103042 6R710
65	154	63.5 x 1.65	21	94,5	113	40	-	F.10	120	12	70x7	22	19	102	11	M10x25	45	103042 6R71F
80	184	76.2 x 1.65	27	106	136	40	8,74	F.07	90	12	55x7	17	15	70	9	M8x22	70	103042 6U510
80	184	76.2 x 1.65	27	106	136	40	-	F.10	120	12	70x7	22	19	102	11	M10x25	70	103042 6U51F
100	190	101.6 x 2.11	27	120	167	25	13,10	F.07	90	12	55x5	17	15	70	9	M8x22	80	103042 6X410
100	190	101.6 x 2.11	27	120	167	25	14,60	F.10	120	12	70x5	22	18	102	11	M10x25	80	103042 6X41F



POSITION	DENOMINATION	PIECES	MATERIAL
1	Body	1	AISI 316L
2	Ball	1	AISI 316L
3	Sleeves	2	AISI 316L
4	Stem	1	AISI 316L
5	Ball Seals	2	PTFE
6	Sleeve Seals	2	PTFE
7	Stem Seal	1	PTFE
8	Stem Seal	1	PTFE
9	Stem or-Seal	1	FKM
10	Register ring	1	AISI 303
11	Locknut	1	AISI 303

