

103030 FOR BS PIPE



TWO-way ball valve

Drive: ISO 5211 - DIN 3337 flange for actuator

Connection: **CLAMP normative DIN 32676 TAB.4 REIHE C**
For TUBE according to normative BS/OD (ASTM A270)

Flow: Full and reduced

Material: Aisi 316L (1.4404)

Measure: from 1/2" to 4"

Seals: Modified Virgin P.T.F.E.

Operating temperature: -20°C+170°C

Outer finish: Polished

Screws for mounting actuator included

On request:

Antistatic device ATEX:

II 2G Ex h IIC T4 Gb

II 2D Ex h IIIC T135°C Db

M.O.C.A. CE 1935/2004

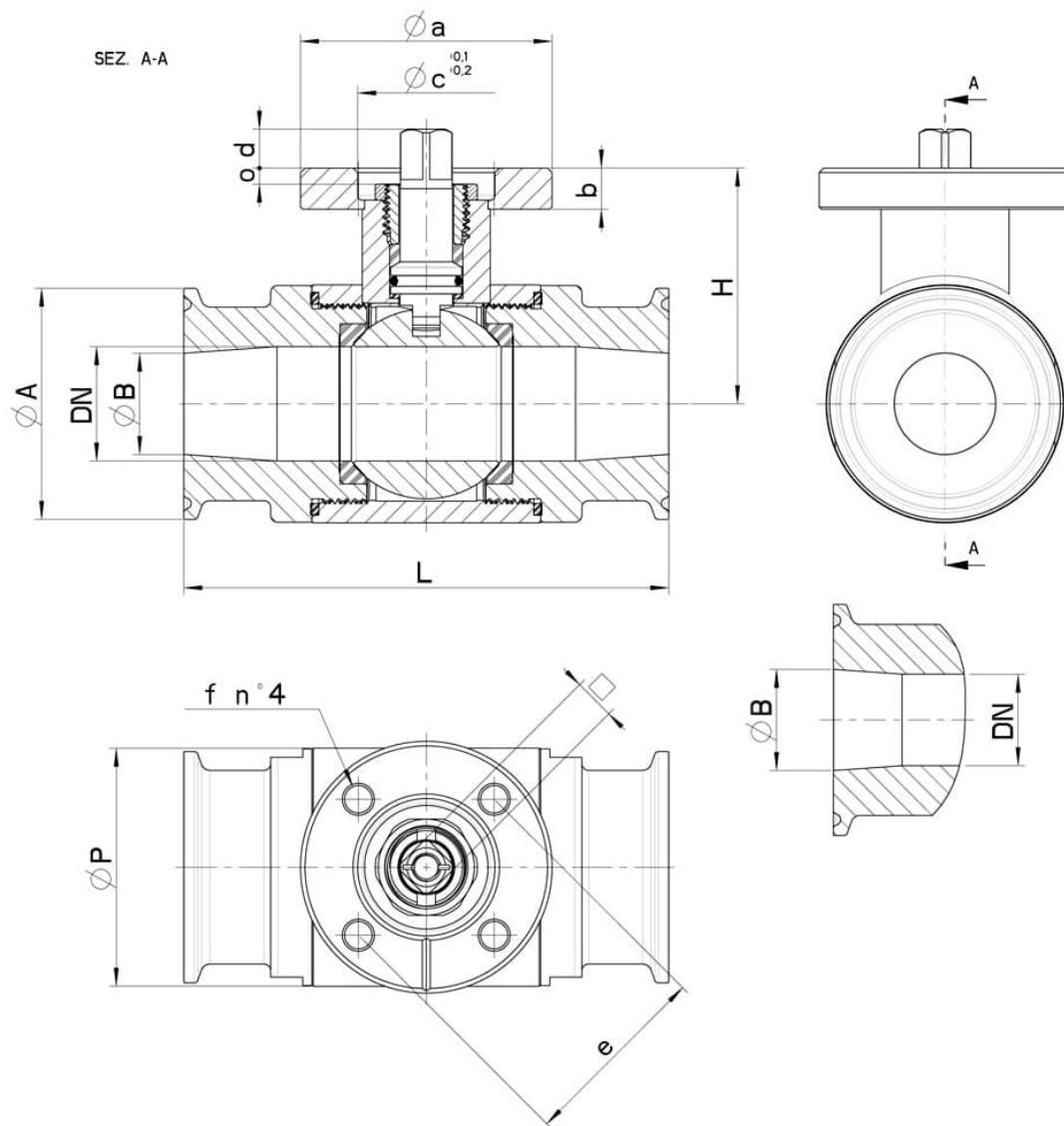
• Seals made of:

PTFE with glass -20°C+170°C

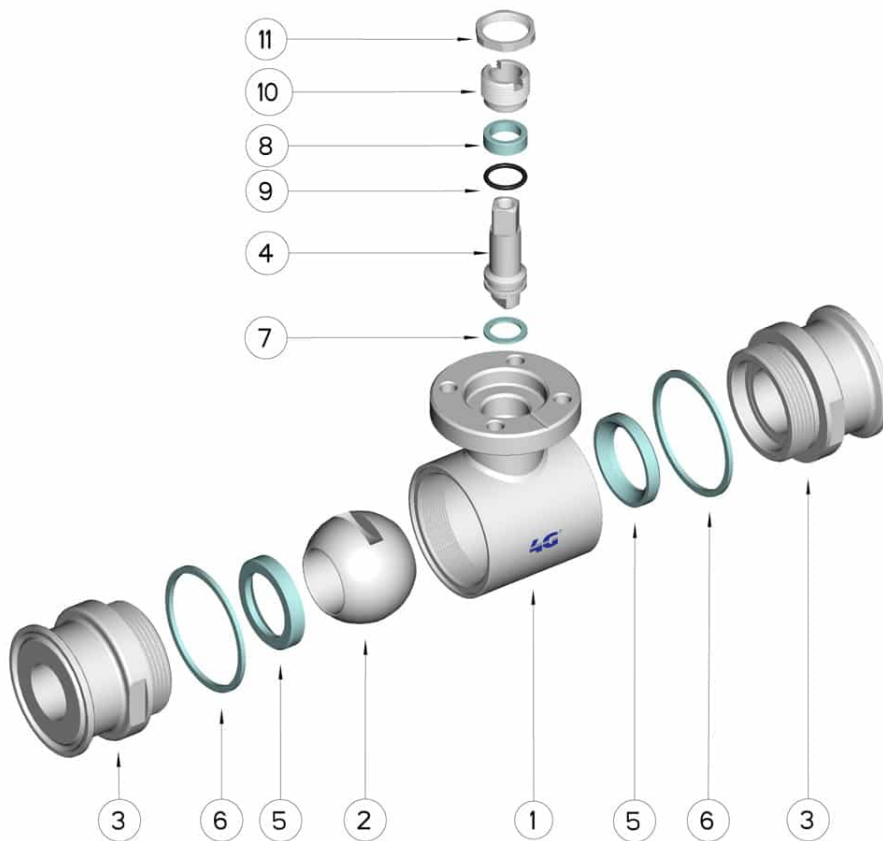
PTFE with carbographite -20°C+180°C

PTFE with inox -20°C+200°C

UHMW High-molecular weight polyethylene -20°C+80°C



CLAMP REIHE C	DN	L	Ø A	Ø B	H	Ø P	PN	Kg	ISO-DIN	Ø a	b	Ø cxo	□	d	e	f	n° 4 BOLTS	Nm	CODE AISI 304L	CODE AISI 316L
1/2"	10	88	25	9,4	39	30	100	0,44	F.03	45	7	25x3	9	8	36	6	M5x16	5	-	103030 61210
1/2"	10	88	25	9,4	39	30	100	0,46	F.04	55	7	30x3	11	10	42	6	M5x16	5	-	103030 6121F
3/4"	15	92	25	15,75	41,5	35	100	0,50	F.03	45	7	25x3	9	8	36	6	M5x16	8	-	103030 61810
3/4"	15	92	25	15,75	41,5	35	100	0,54	F.04	55	7	30x3	11	10	42	6	M5x16	8	-	103030 6181F
1"	20	102	50,5	22,1	45	42	100	0,95	F.03	45	7	25x3	9	8	36	6	M5x16	12	-	103030 62410
1"	20	102	50,5	22,1	45	42	100	0,96	F.04	55	7	30x3	11	10	42	6	M5x16	12	-	103030 6241F
1"	25	106	50,5	22,1	51,5	52	64	1,31	F.04	55	9	30x3	11	10	42	6	M5x16	15	-	103030 62610
1"	25	106	50,5	22,1	51,5	52	64	1,36	F.05	65	9	35x3	14	13	50	7	M6x16	15	-	103030 6261F
1*1/2	32	112	50,5	34,8	56,5	60	64	1,42	F.04	55	9	30x3	11	10	42	6	M5x16	18	-	103030 63210
1*1/2	32	112	50,5	34,8	56,5	60	64	1,49	F.05	65	9	35x3	14	13	50	7	M6x16	18	-	103030 6321F
1*1/2	40	126	50,5	34,8	76	73	64	2,42	F.05	65	12	35x6	14	13	50	7	M6x20	25	-	103030 63410
1*1/2	40	126	50,5	34,8	76	73	64	2,57	F.07	90	12	55x6	17	14	70	9	M8x22	25	-	103030 6341F
2"	50	136	64	47,5	84	89	40	3,44	F.05	65	12	35x6	14	13	50	7	M6x20	30	-	103030 63810
2"	50	136	64	47,5	84	89	40	3,61	F.07	90	12	55x6	17	14	70	9	M8x22	30	-	103030 6381F
2*1/2	65	154	77,5	60,2	94,5	113	40	5,84	F.07	90	12	55x7	17	15	70	9	M8x22	45	-	103030 64410
2*1/2	65	154	77,5	60,2	94,5	113	40	6,34	F.10	120	12	70x7	22	19	102	11	M10x25	45	-	103030 6441F
3"	80	184	91	72,9	106	136	40	8,90	F.07	90	12	55x7	17	15	70	9	M8x22	70	103030 44810	103030 64810
3"	80	184	91	72,9	106	136	40	9,40	F.10	120	12	70x7	22	19	102	11	M10x25	70	103030 4481F	103030 6481F
4"	100	190	119	97,38	120	167	25	13,33	F.07	90	12	55x5	17	15	70	9	M8x22	80	103030 45410	103030 65410
4"	100	190	119	97,38	120	167	25	13,83	F.10	120	12	70x5	22	18	102	11	M10x25	80	103030 4541F	103030 6541F



POSITION	DENOMINATION	PIECES	MATERIAL
1	Body	1	AISI (304L) 316L
2	Ball	1	AISI (304L) 316L
3	Sleeves	2	AISI (304L) 316L
4	Stem	1	AISI (304L) 316L
5	Ball Seals	2	PTFE
6	Sleeve Seals	2	PTFE
7	Stem Seal	1	PTFE
8	Stem Seal	1	PTFE
9	Stem or-Seal	1	FKM
10	Register ring	1	AISI 303
11	Locknut	1	AISI 303

