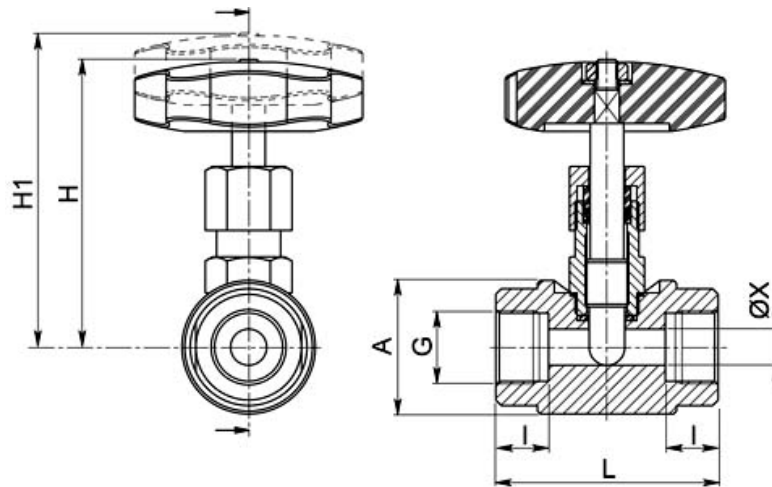


678001

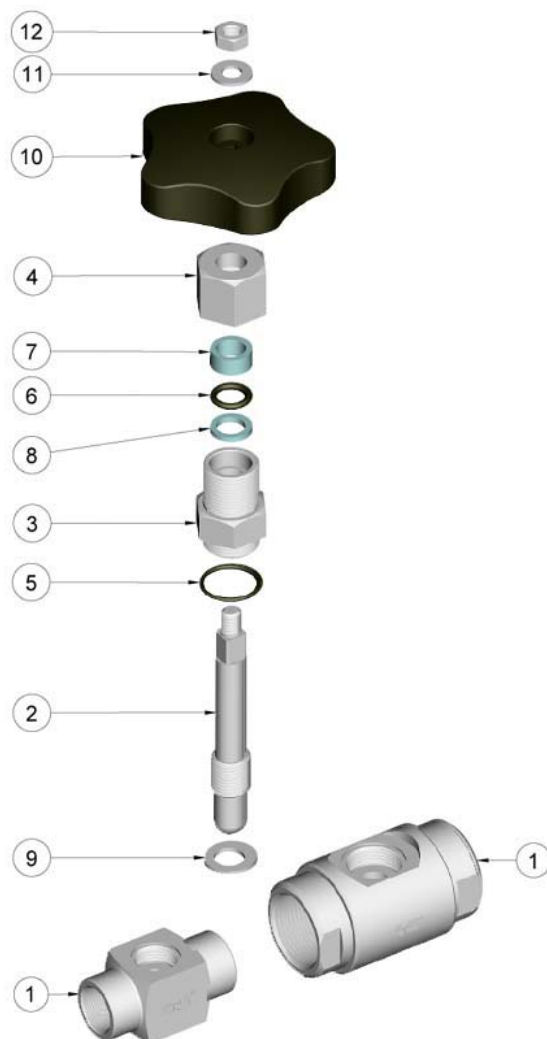


Rate valve
 Drive: Handwheel
 Connection: ISO 228 female/female thread
 Material: Aisi 316L
 Measure: from 1/2" to 1"1/2
 Operating temperature: -20°C +160°C
 Outer finish: Polished

On request
 Antistatic device ATEX (Directive 94/9/EC)



G	L	l	A	H	H 1	Ø X	PN	KG	CODE AISI 316L
1/2"	60	14]30	68	74	8,5	100	0,40	678001 61400
3/4"	80	19	Ø 48	105	116	13	100	1,16	678001 62000
1"	80	19	Ø 48	105	116	13	100	1,07	678001 62600
1" 1/4	90	19	Ø 60	109	123	18,2		1,75	678001 63000
1" 1/2	90	19	Ø 60	109	123	18,2		1,63	678001 63400



POS.	DENOMINATION	PCS	MAT.
1	Body	1	AISI 316L
2	Pin	1	AISI 316L
3	Lead screw	1	AISI 316L
4	Stuffing nut	1	AISI 316L
5	OR	1	FKM
6	OR	1	FKM
7	Seal	1	PTFE Caricato Vetro/With glass
8	Seal	1	PTFE
9	Seal	1	Duroplast
10	Handwheel	1	AISI 304L
11	Washer	1	AISI 304L
12	Nut	1	AISI 304L

