

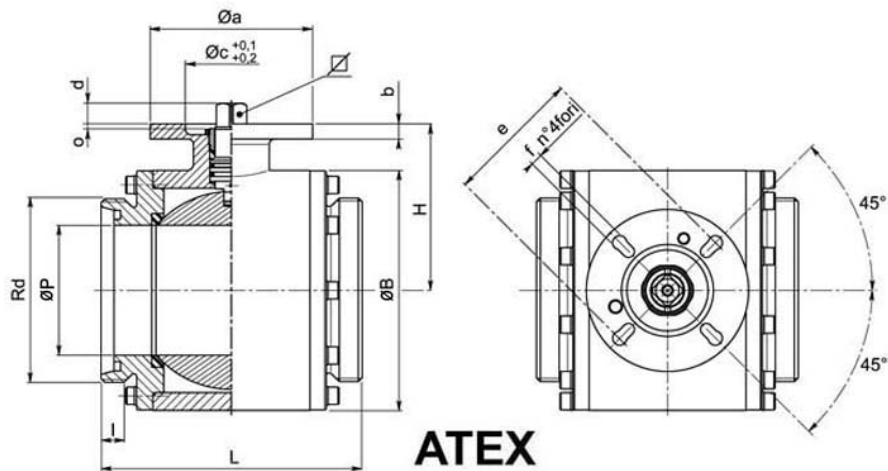


## 113025

Two-way ball valve  
 Drive: ISO 5211 - DIN 3337 flange for actuator  
 Connection: DIN 11851 female/female  
 Flow: full  
 Material: Aisi 304 - 316  
 Measure: 5"  
 Seals: virgin P.T.F.E.  
 Operating temperature: -20°C +160°C  
 Outer finish: turned

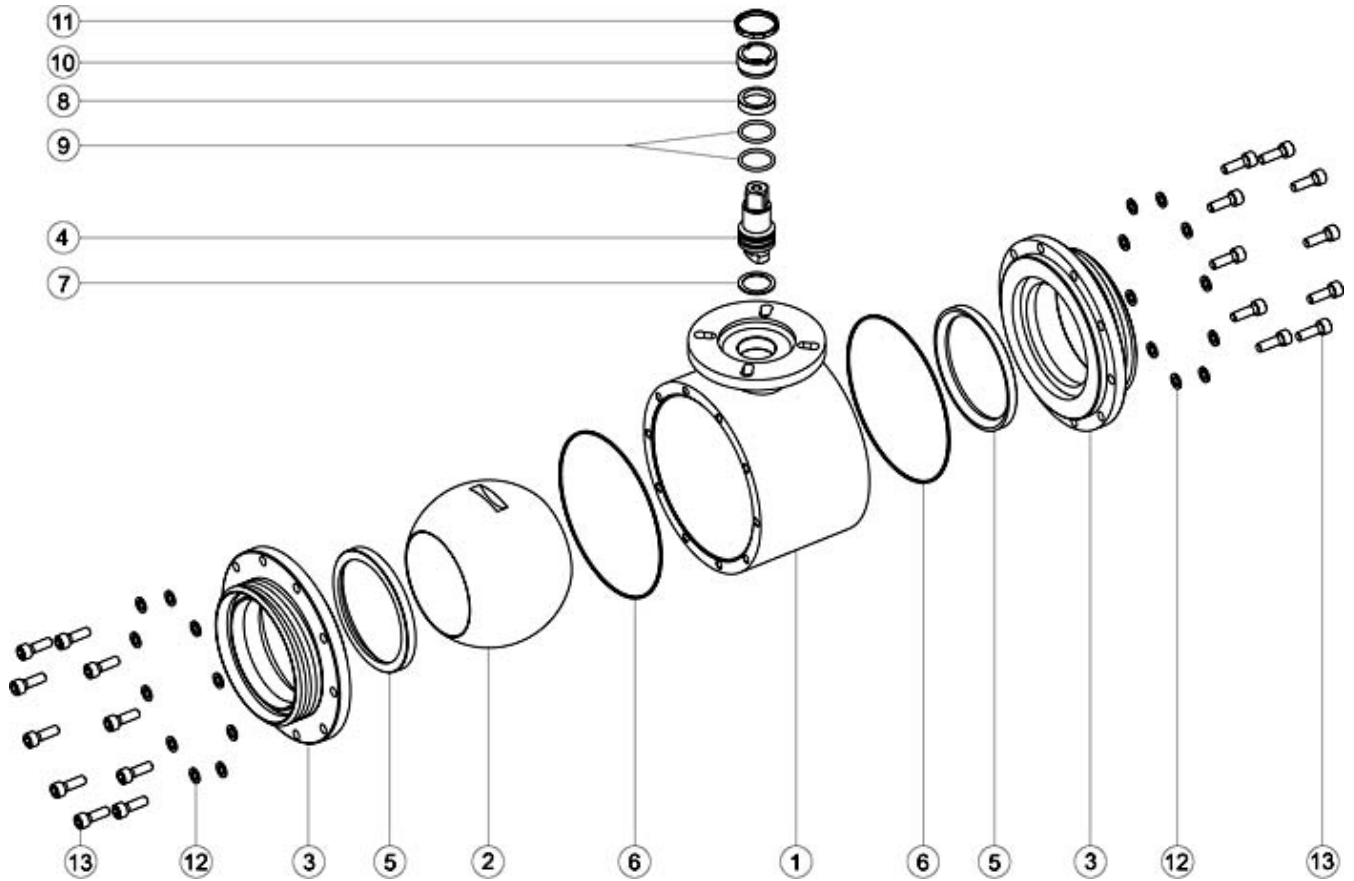
### On request:

- ISO 7 thread
- NPT thread
- Seals made of:  
 P.T.F.E. with glass  
 P.T.F.E. with carbographe  
 High-molecular weight polyethylene



DN	P	Rd	L	I	H	B	PN	KG	ISO-DIN	Ø a	B	Ø c x o	∏	d	Ø e	f n° 4 hole Ø	n° 4 bolts	Nm *	CODE AISI 304L	CODE AISI 316L
125	120	160 x 1/4"	240	32,5	154	222	16	36,66	F.10-F.12	150	14	85 x 3	22-27	19	102-125	11-13	M10x25- M12x30	130	113025A4 5810	113025A6 5810

\* Maximum break-out torque in Nm



POS.	DENOMINATION	PCS	MAT.
1	Body	1	AISI 304L - 316L
2	Ball	1	AISI 304L - 316L
3	Sleeves	2	AISI 304L - 316L
4	Stem	1	AISI 304L - 316L
5	Ball seals	2	PTFE
6	Sleeve seals	2	PTFE
7	Stem seal	1	PTFE
8	Stem seal	1	PTFE
9	Stem OR-seal	2	FKM
10	Register ring	1	AISI 304L (303)
11	Nut	1	AISI 304L
12	Sleeve washer	10	AISI 304L
13	Sleeve bolt	10	AISI 304L

