

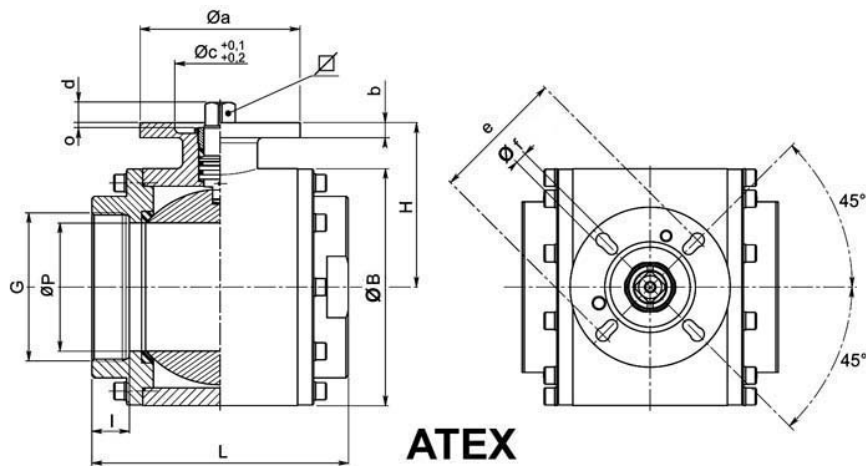


113001

Two-way ball valve
 Drive: ISO 5211 - DIN 3337 flange for actuator
 Connection: ISO 228 female/female thread
 Flow: full
 Material: Aisi 304 - 316
 Measure: 5"
 Seals: virgin P.T.F.E.
 Operating temperature: -20°C +160°C
 Outer finish: turned

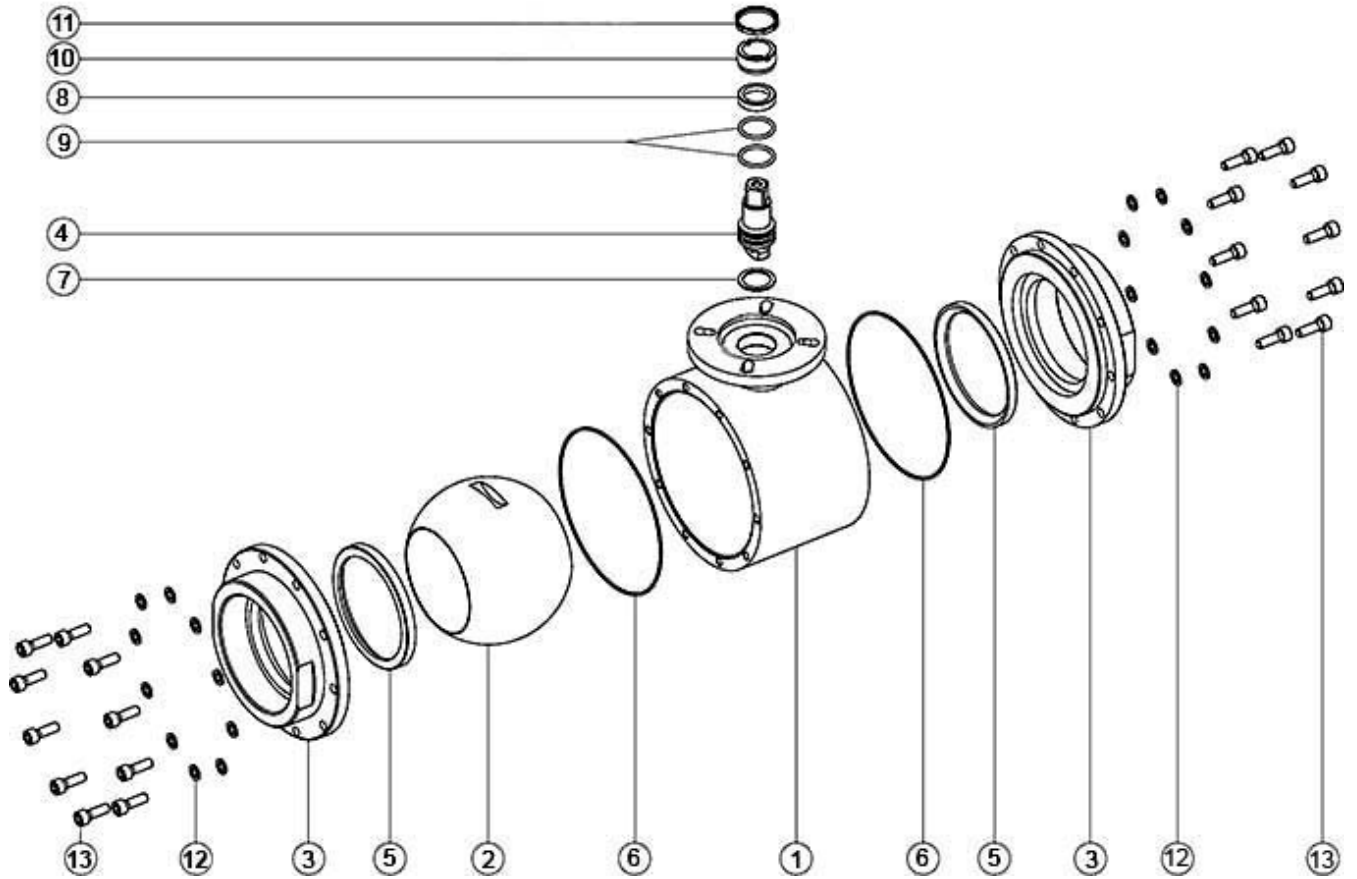
On request:

- ISO 7 thread
- NPT thread
- Seals made of:
 P.T.F.E. with glass
 P.T.F.E. with carbographite
 High-molecular weight polyethylene



G	P	L	I	H	B	PN	Kg.	ISO-DIN	Ø a	b	Ø c x o	□	d	E	F	n° 4 bolts	Nm *	CODE AISI 304L	CODE AISI 316L
5"	120	240	35	154	222	16	37,80	F.10 - F.12	150	14	85 x 3	22-27	19	102-125	11-13	M10x25-M12x30	130	113001A45810	113001A65810

* Maximum break-out torque in Nm



POS.	DENOMINATION	PCS	MAT.
1	Body	1	AISI 304L - 316L
2	Ball	1	AISI 304L - 316L
3	Sleeves	2	AISI 304L - 316L
4	Stem	1	AISI 304L - 316L
5	Ball seals	2	PTFE
6	Sleeve seals	2	PTFE
7	Stem seal	1	PTFE
8	Stem seal	1	PTFE
9	Stem OR-seal	2	FKM
10	Register ring	1	AISI 304L (303)
11	Nut	1	AISI 304L
12	Sleeve washer	10	AISI 304L
13	Sleeve bolt	10	AISI 304L

